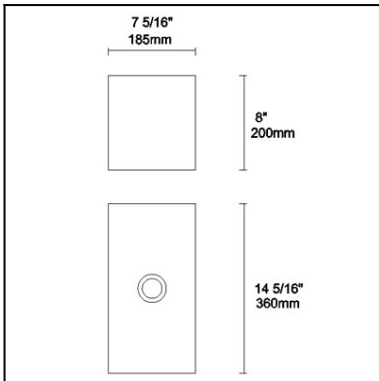




The photograph may not match the reference exactly. Please read the product description to identify the finish.



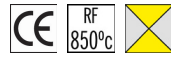
Download photometric file .ldt /.ies

Description

Shade, white, 360x200x185mm

TECHNICAL CHARACTERISTICS

Type:	Accessory
Light source 1:	0 x E27
Warranty (Years):	2
Units per box:	4
Net Weight (Kg):	0.295
EAN:	8435381401535



MATERIALS / FINISHES

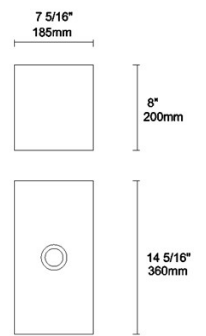
Structure material: Steel

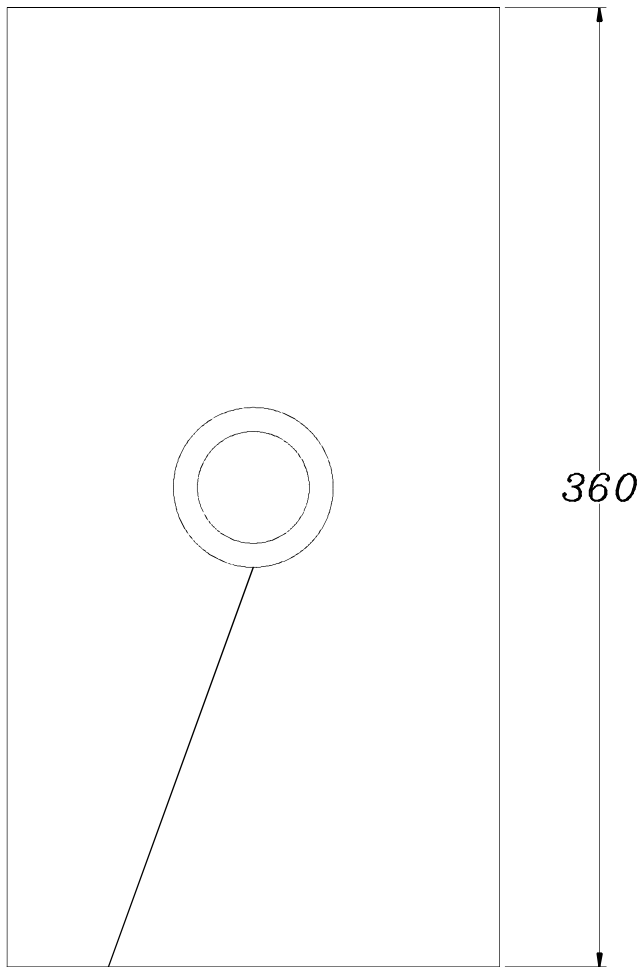
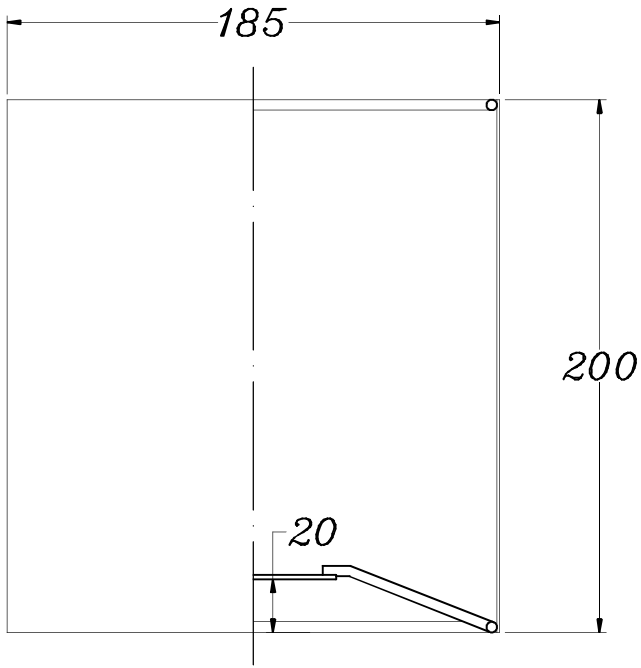
Diffuser material: Fabric shade

Diffuser finish: White

PAN-182-14

Shade, white, 360x200x185mm

Structure material: Steel**Diffuser material:** Fabric shade**Diffuser finish:** WhiteRF
850°C



LIRE: E-27

Modificaciones		Tolerancias generales		Escala		Material	
⑦		MUY BASTO DIN 7168		1 : 1			
⑥		Observaciones					
⑤							
④							
③							
②							
①							
		Fecha	Nombre	CAD		Denominación	
		Dibujado	T:PADULLES			PAN-182	
		Comprab.	JOSEP VERS				

LEDS