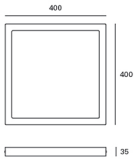




TC-0413-BLA

V0

EASY Ceiling fixture



Description

Recessed light fitting

For downlighting. Structure material: Aluminium. Structure finish: Matt white. Diffuser material: Acrylic. Diffuser finish: Opal. Warranty: 5 Years.11Product net weight (Kg): 1.4701Product length (mm): 4001Product width or diameter (mm): 4001Product height (mm): 3511Class 2. IP: IP20. LED. No. of lampholders or LEDs: 150. LED brand: MLS. Driver brand: N/A. Maximum power of light source: 26.4W. Colour temperature: Warm White - 3000K. Colour rendering index: 80. Hours of life: 36.000h L70B30. UGR: 18.3. Photobiological risk: RG1. % de Flickering: 50,8%. Real flux (lm): 2300. Nominal flux (lm): 3375. Lm/Real W: 78. Voltage and frequency range: 100-240 VAC. Voltage: 2.9 V. Intensity: 60 mA. Gear included: Yes, electronic. Total power: 29.3 W. Power factor: 0.97.

Finish
Matt white
Opal

Material
Aluminium
Acrylic



TECHNICAL CHARACTERISTICS

Light source

Light source: LED MLS
Output (W): 26.4W
Total power consumption (W): 29.3 W
Color temperature: Warm White - 3000K
CRI: 80
Real Lumen: 2300
Nominal Lumen: 3375
Qty Leds: 150
Lm/Real W: 78
Life Time: 36.000h L70B30
Bin / Grup: 30-0A o 30-0B
UGR: 18.3
Photobiological risk: RG1

GEAR

Brand: N/A
Gear included: Yes, electronic
Voltage / Frequency:
100-240V/50-60Hz
Power Factor: 0.97
Flickering: 50,8%

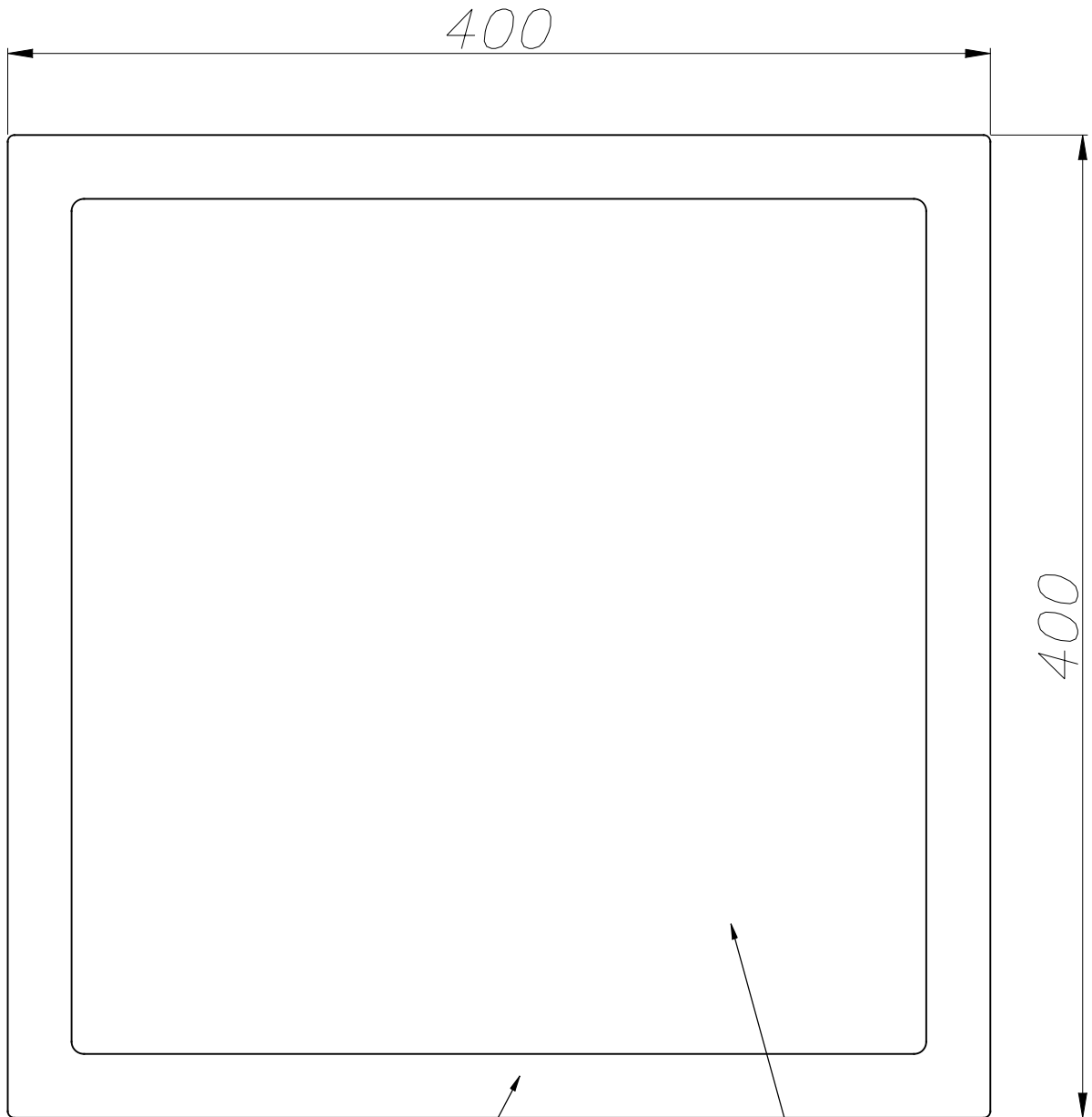
Luminaire

Warranty: 5 Years

Logistics

Energy Efficiency: LED A++
EAN Code: 8435381495190
Net Weight (Kg): 1.470
Weight in Kg (packaged): 1.780
Packing: 410 x 410 x 45
Masterbox: 5

The photograph may not match the reference exactly. Please read the product description to identify the finish.



ALUMINIO INYECTADO
INJECTED ALUMINIUM

ACRÍLICO
OPAL



PLANTILLA DE INSTALACIÓN
INSTALLATION TEMPLATE

