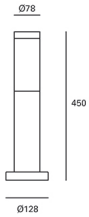




PX-0099-BLA

V0

KORAL Beacon



Description

Bollard for outdoor use.

For lighting both sides. Structure material: Stainless steel AISI202. Structure finish: White. Diffuser material: Polycarbonate. Diffuser finish: Opal. Warranty: 5 Years.11Product net weight (Kg): 0.6851Product width or diameter (mm): 1281Product height (mm): 45011Class 1. IP: IP55. IK: IK10. E27. Maximum length of luminaire bulb: 167.000. Maximum diameter of luminaire bulb: 55.000. No. of lampholders or LEDs: 1. Maximum power of light source: 23W. UGR: 13.8. Real flux (lm): 746. Lm/Real W: 32. Total power: 23W.

Finish
White
Opal

Material
Stainless steel AISI202
Polycarbonate

 IP55 IK10   4

TECHNICAL CHARACTERISTICS

Light source

Lampholder: 1 x E27
Output (W): MAX 23W
Total power consumption (W): 23W
Lamp maximum dimension: 167/55 mm
Real Lumen: 746
Quantity: 1
Lm/Real W: 32
UGR: 13.8

GEAR

Voltage / Frequency:
100-240V/50-60Hz

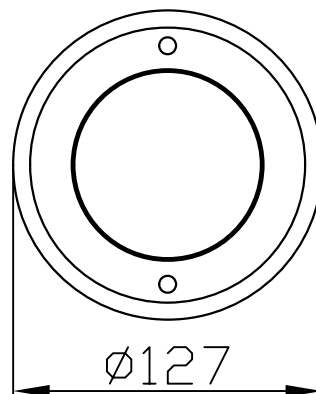
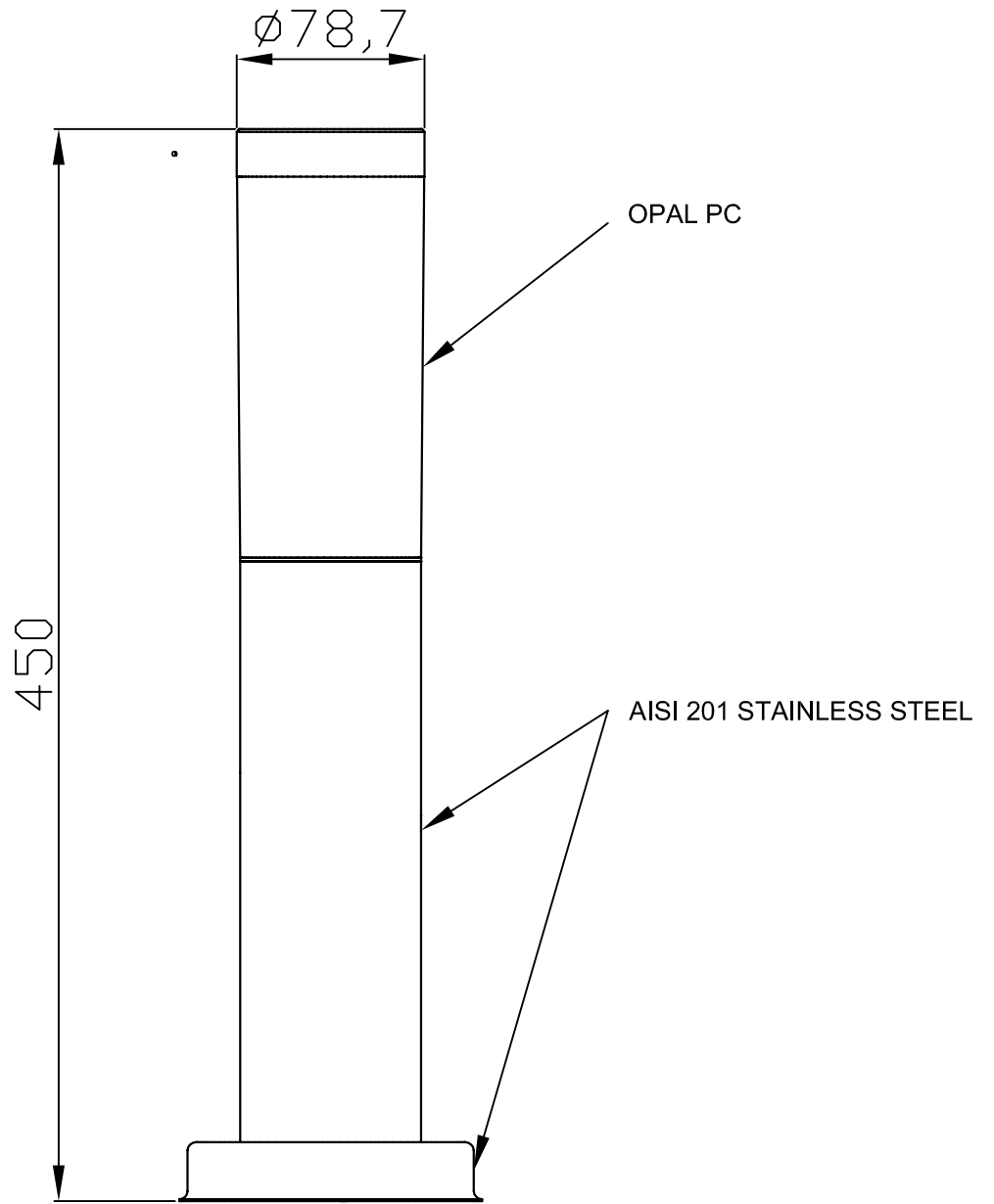
Luminaire

Warranty: 5 Years

Logistics

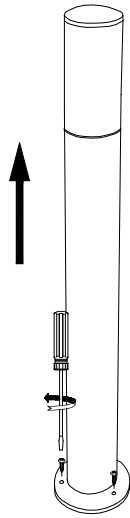
Energy Efficiency: NO BULB
EAN Code: 8435381438449
Net Weight (Kg): 0.685
Weight in Kg (packaged): 0.964
Packing: 135 x 135 x 460
Masterbox: 4

The photograph may not match the reference exactly. Please read the product description to identify the finish.

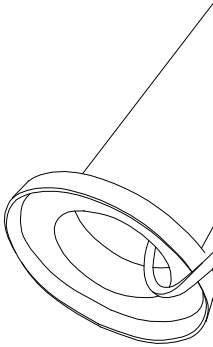




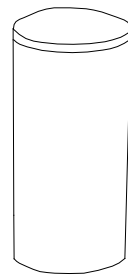
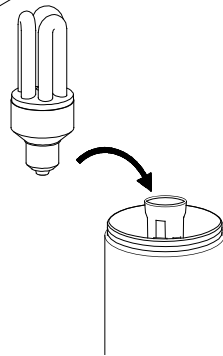
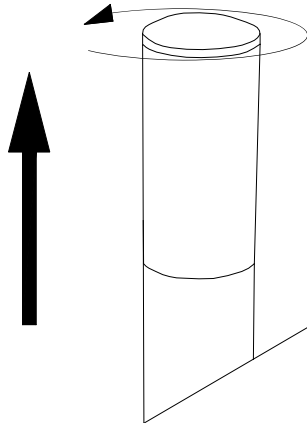
①



②



③



④

