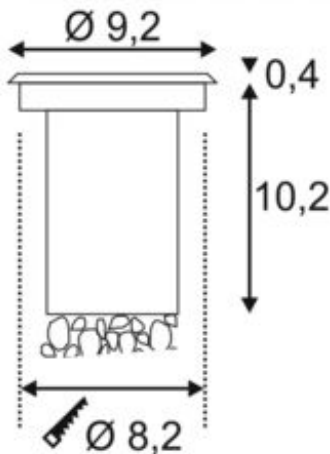
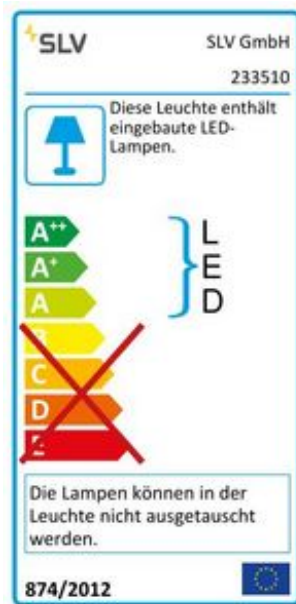
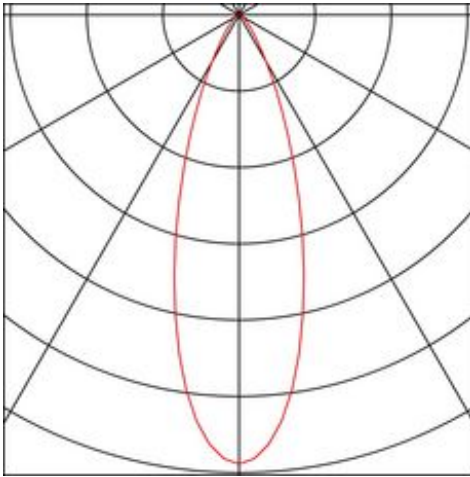


DASAR 92 LED LV

outdoor inground fitting, LED, 3000K, IP67, round, brushed stainless steel, 12-25V, 6W



Article number	233510
Product family	DASAR® LED LV
Number of light sources	3
Max. wattage	6 Watt
Luminous flux	360 lm
Lamp	Power LED
Light distribution type 1	Direct
Light distribution type 3	rotationally symmetric
Feed-in capability	No
Lamp included	No
Installation diameter	8.2 cm
Installation depth	10.2 cm
Depth	6 cm
Diameter	9.2 cm
Net weight	0.847 kg
Gross weight	0.932 kg
Voltage	12 / 24 Volts
Protection class	III
IP-rating	IP 67
Beam angle	40 Degree
Material	Stainless steel 316 / Glass
Colour	Brushed stainless steel
Way of mounting	Inground mounting
Remark 1	100 cm connection lead included
Average lifespan	25000 Hours
Colour temperature	3000 Kelvin
Colour rendering index	80
Energy efficiency class	A++
fastCalcEnabled	No
ranking	400
Catalogue page	BIG WHITE 2017: 697



The walkable low-voltage inground fitting DASAR 92 LED LV with a round stainless steel bezel and glass cover with warm-white, high-performance power LEDs. With its IP67 protection class, the luminaire is suitable for outdoor use. The electrical connection is made via a separately available 12V or 24V LED power supply. A mounting pot is included in the delivery for simple assembly. Alternatively, there is a PRO version of the light with stainless steel housing. This luminaire contains built-in LED lamps. EEL: A - A++ The lamps in the luminaire cannot be replaced.