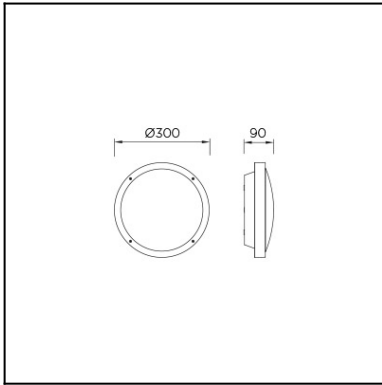
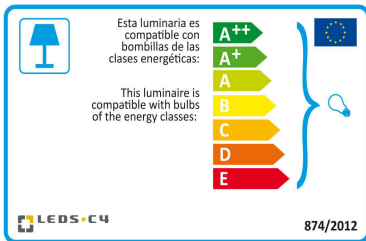




The photograph may not match the reference exactly. Please read the product description to identify the finish.



Download photometric file .ldt /.ies



Click on image to download energy label

TECHNICAL CHARACTERISTICS

Type:	Ceiling fixture
IP Protection degrees:	IP65
IK Protection degrees:	IK10
Light source 1:	2 x E27 MAX 23W Maximum lamp length: 165.00 mm Maximum lamp diameter: 55.00 mm
Total power consumption (W):	46
Voltage / Frequency:	230V/50-60Hz
Warranty (Years):	2
Units per box:	12
Net Weight (Kg):	0.69
EAN:	8435111081990



MATERIALS / FINISHES

Structure material:	Polycarbonate + ABS	Diffuser material:	Polycarbonate
Structure finish:	Grey	Diffuser finish:	Matt

71-9711-00-00



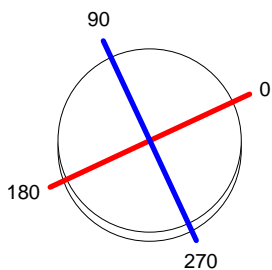
71-9712-00-00



Luminaire		Measur.		Lamp	
Code	15-9493-34-M3	Code	15-9493-34-M3	Code	PL ELECT pro23W/827
Name	Apliq. BASIC 2x23W TC-TEL opal	Name	Apliq. BASIC 2x23W TC-TEL opal	Number	2
Line	Eulumdat	Date	19-05-2011	Position	
Efficiency	27.67%	Coordinate system	CG	Total Flux	3000.00 lm
Maximum value	245.96 cd	Position	C=15.00 G=15.00	Double Symmetrical	
Round Luminaire	Diam.	300 mm	Height	95 mm	
Round Luminous Area	Diam.	260 mm	Height	25 mm	
Horizontal Luminous Area	0.053093 m2	Emitting area on Plane 180°	0.006500 m2		
Emitting area on Plane 0°	0.006500 m2	Emitting area on Plane 270°	0.006500 m2		
Emitting area on Plane 90°	0.006500 m2	Glare area at 76°	0.019151 m2		
Symmetry Type	Double Symmetrical	Maximum Gamma Angle	180		
Measurement Distance	0.00	Measurement Flux	3000.00 lm		
Operator	Asselum T2	Source voltage			
Temperature	25.00 °C	Source current			
Humidity	60.00 %	Photocell			
Notes					

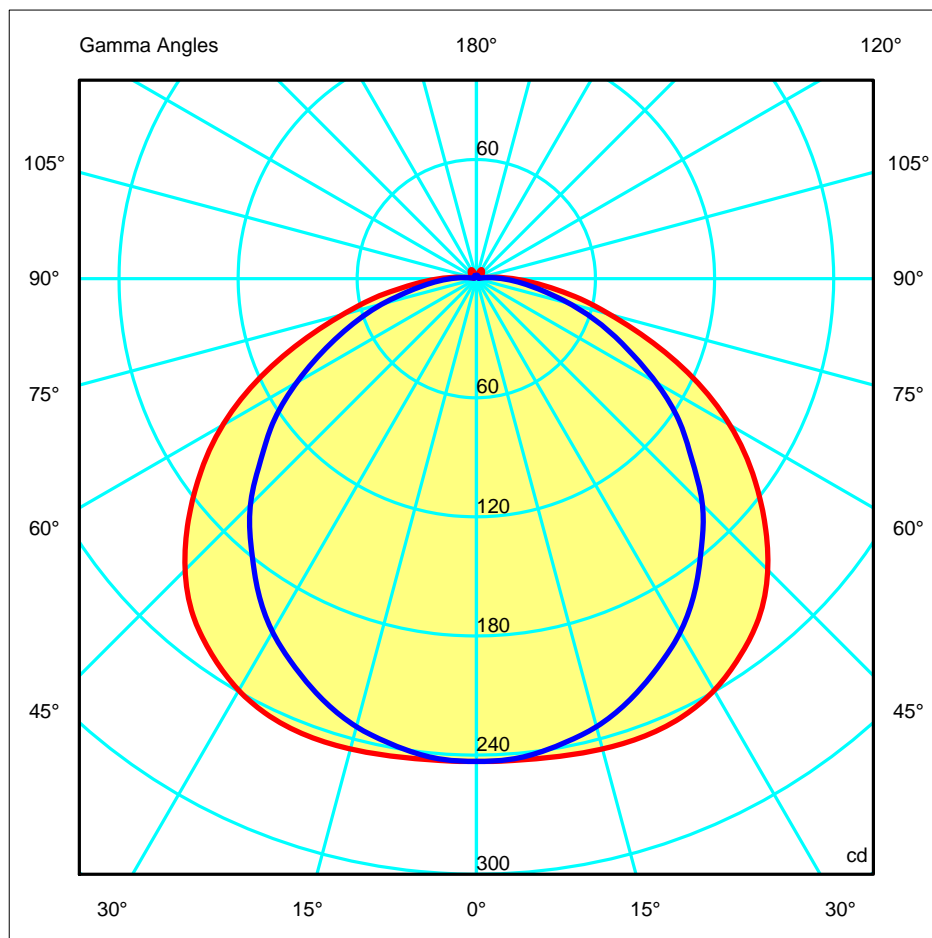
Luminaire Lamps					
Line	Code	Name	Flux [lm]	Pow. [W]	Q.ty
Eulumdat	PL ELECT pro23W/827	PL ELECT pro23W/827 - 23.00 W	1500.00	23.00	2
C.I.E.	43 75 93 98 28	D DIN 5040	A31		
F UTE	0.27 E + 0.01 T	B NBN	BZ 5		

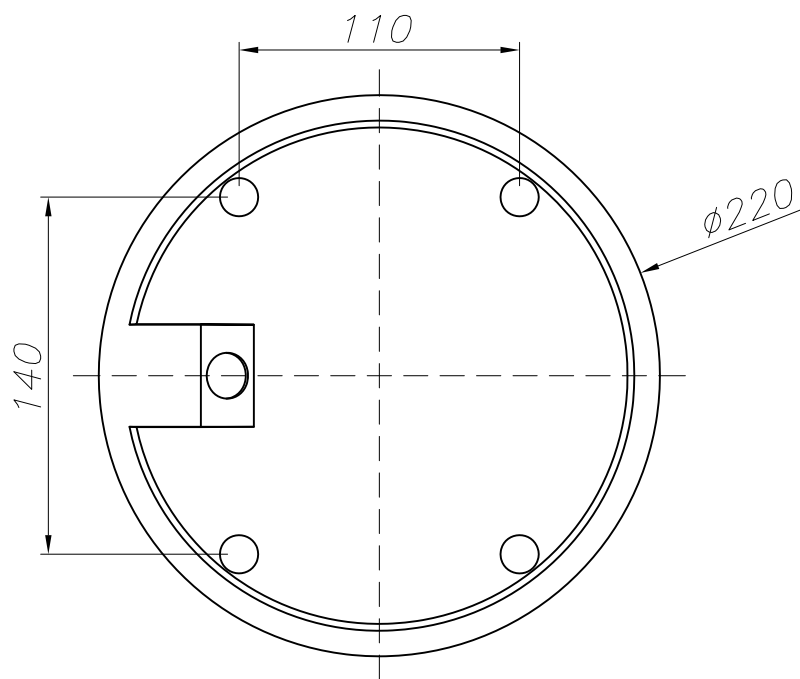
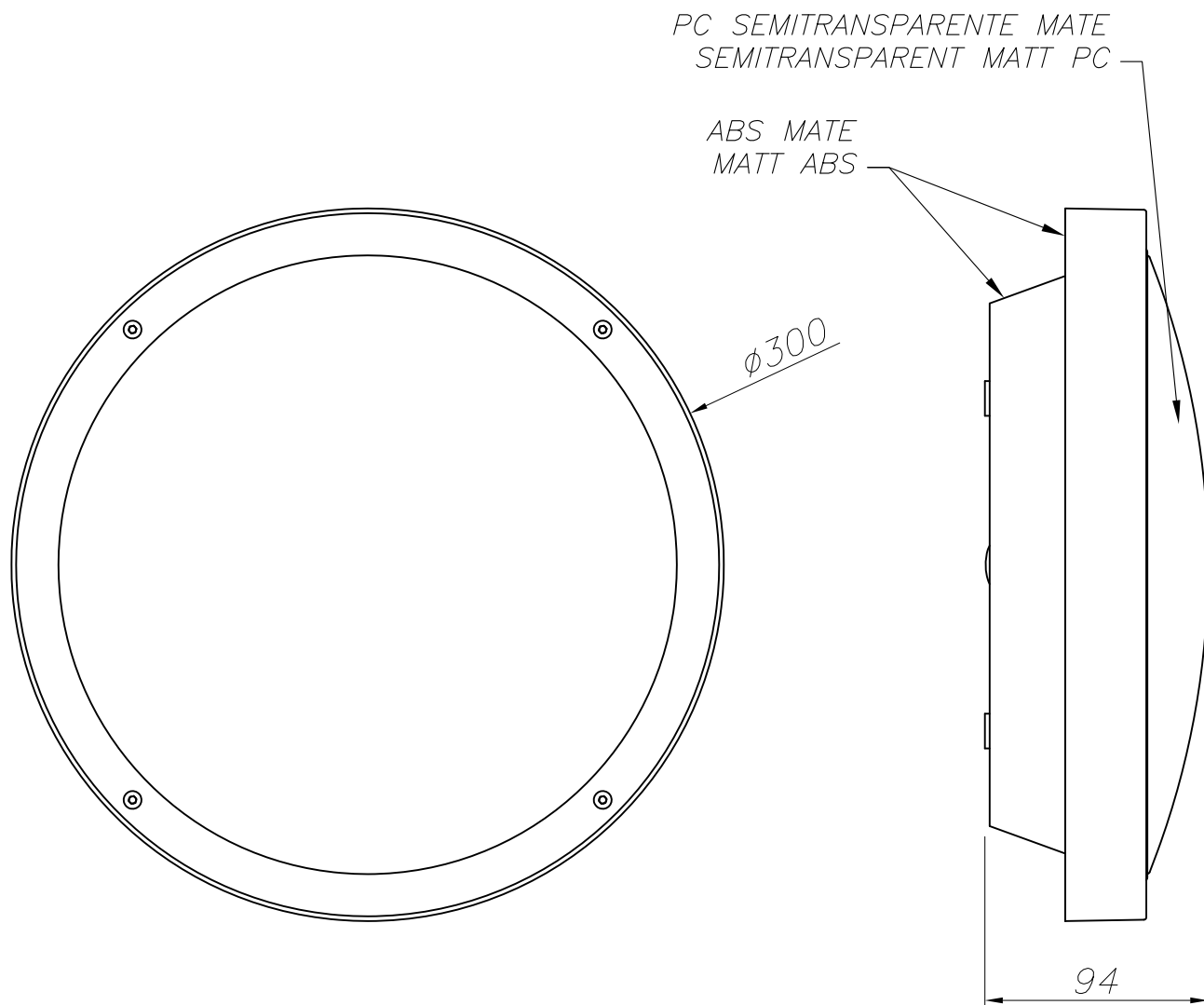
Diam=300mm



C Halfplanes
 180.0 — 0.0
 270.0 — 90.0

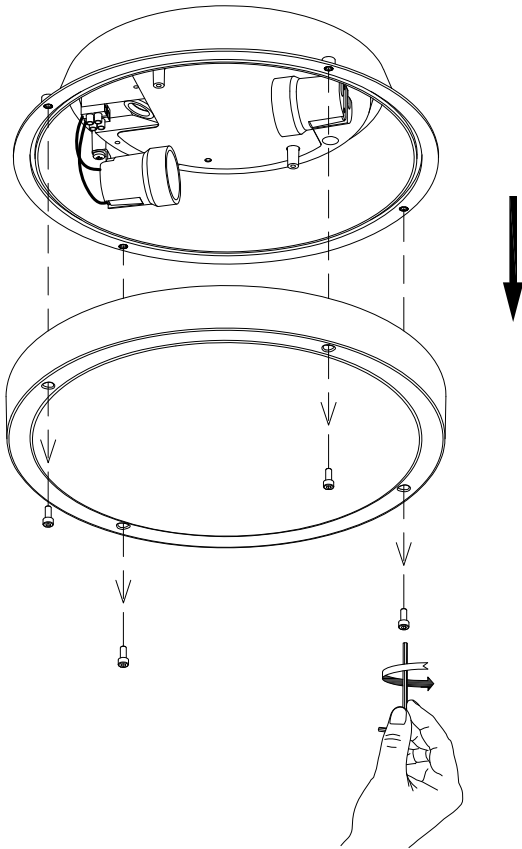
ULOR 0.63 %
 DLOR 27.04 %
 RN 2.27 %



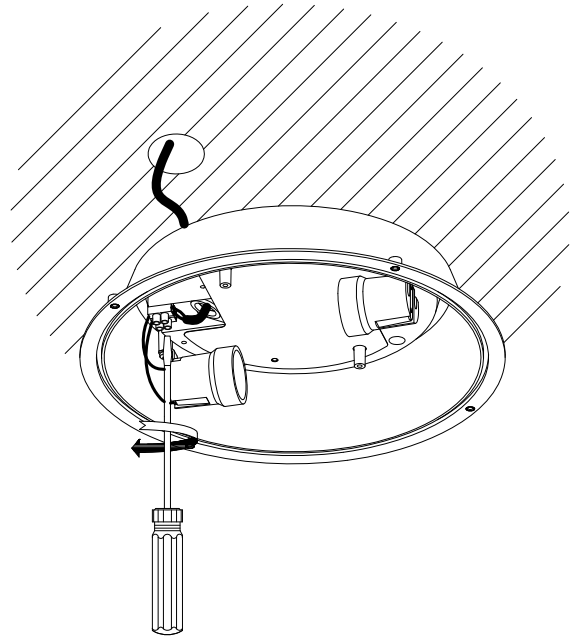


PLANTILLA DE INSTALACIÓN
INSTALLATION TEMPLATE

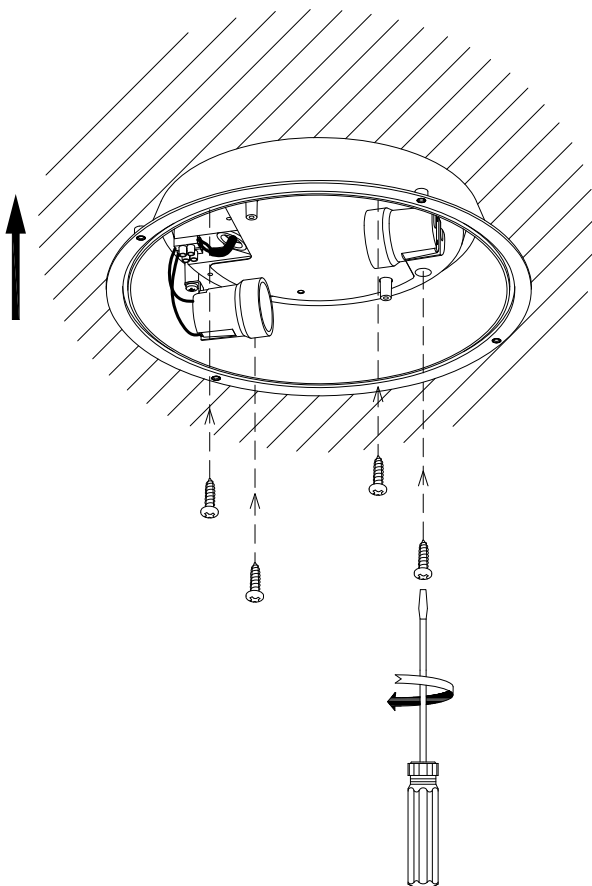
①



②



③



④

