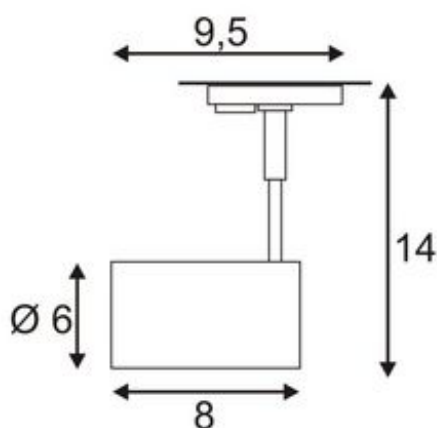


BIMA 2

spot for 240V 1-phase track, double-headed, QPAR51, matt white, max. 50W, incl. 1-phase adapter



Article number	143431
Light distribution type 1	Direct
Product family	Bima
Feed-in capability	No
LBS code	QPAR51
Lamp	QPAR51
Lampholder / Socket	GU10
Number of light sources	2
Lamp included	No
Tilt range	200 Degree
Rotation range	350 Degree
Length	8 cm
Height	14 cm
Diameter	6 cm
Net weight	0.506 kg
Gross weight	0.616 kg
Voltage	230 ~50 Volts
Max. wattage	50 Watt
Protection class	II
Material	Aluminium
Colour	matt white
Way of mounting	Track mounting
Remark 1	Lamp head (Ø / H): 6 / 8 cm
Energy efficiency class	A++
fastCalcEnabled	No
ranking	200
Catalogue page	BIG WHITE 2017: 369

Double-headed adjustable high-voltage spot BIMA 2 with suitable adapter for the 240V 1-phase track system. The luminaire is made of aluminium and has a GU10 socket installed which makes it suitable for both halogen and LED lamps. Both lamp heads are separately adjustable. This luminaire is suitable for lamps of energy classes: E - A++ / E - A++