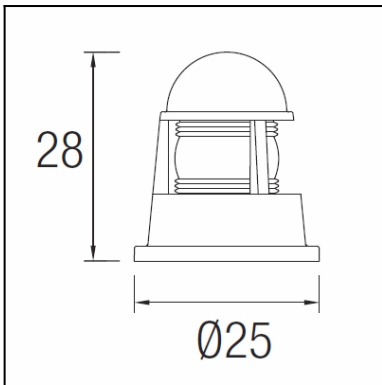




The photograph may not match the reference exactly. Please read the product description to identify the finish.



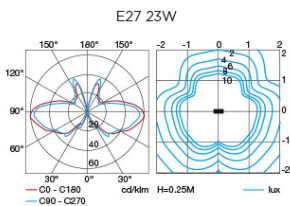
### TECHNICAL CHARACTERISTICS

|                              |  |
|------------------------------|--|
| Type:                        | Lantern  |
| IP Protection degrees:       | IP55   |
| IK Protection degrees:       | IK10   |
| Light source 1:              | 1 x E27<br>max.60W<br>Maximum lamp length: 180.00 mm |
| Total power consumption (W): | 60   |
| Voltage / Frequency:         | 220-240V/50-60Hz                                     |
| Warranty (Years):            | 2  |
| Units per box:               | 4  |
| Net Weight (Kg):             | 1.045  |
| EAN:                         | 8435111097830  |
| Stability:                   | >15°   |

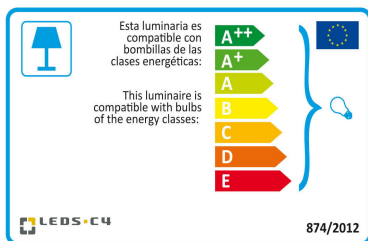


### MATERIALS / FINISHES

|                            |               |                           |               |
|----------------------------|---------------|---------------------------|---------------|
| <b>Structure material:</b> | Polycarbonate | <b>Diffuser material:</b> | Polycarbonate |
| <b>Structure finish:</b>   | Urban grey    | <b>Diffuser finish:</b>   | Prismatic     |



Download photometric file .ldt / .ies

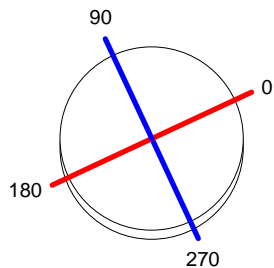


Click on image to download energy label

|                            |                            |                             |                            |                             |             |
|----------------------------|----------------------------|-----------------------------|----------------------------|-----------------------------|-------------|
| <b>Luminaire</b>           |                            | <b>Measur.</b>              |                            | <b>Lamp</b>                 |             |
| Code                       | 10-9645                    | Code                        | 10-9116-Z5-M2              | Code                        | DELN2341    |
| Name                       | Baliza ODIN 23W TC-TSE E27 | Name                        | Baliza ODIN 23W TC-TSE E27 | Number                      | 1           |
| Line                       | Eulumdat                   | Date                        | 17-11-2008                 | Position                    |             |
| Efficiency                 | 39.74%                     | Coordinate system           | CG                         | Total Flux                  | 1500.00 lm  |
| Maximum value              | 95.34 cd                   | Position                    | C=300.00 G=90.00           | Sym. on planes              | 270-90      |
| Round Luminaire            | Diam.                      | 250 mm                      | Height                     | 285 mm                      |             |
| Round Luminous Area        | Diam.                      | 180 mm                      | Height                     | 100 mm                      |             |
| Horizontal Luminous Area   | 0.025447 m2                | Emitting area on Plane 180° | 0.018000 m2                | Emitting area on Plane 270° | 0.018000 m2 |
| Emitting area on Plane 0°  | 0.018000 m2                | Glare area at 76°           | 0.023621 m2                |                             |             |
| Emitting area on Plane 90° | 0.018000 m2                |                             |                            |                             |             |
| Symmetry Type              | Sym. on planes 270-90      | Maximum Gamma Angle         | 180                        |                             |             |
| Measurement Distance       | 0.00                       | Measurement Flux            | 1500.00 lm                 |                             |             |
| Operator                   | Asselum                    | Source voltage              |                            |                             |             |
| Temperature                | 25.00 °C                   | Source current              |                            |                             |             |
| Humidity                   | 60.00 %                    | Photocell                   |                            |                             |             |
| Notes                      |                            |                             |                            |                             |             |

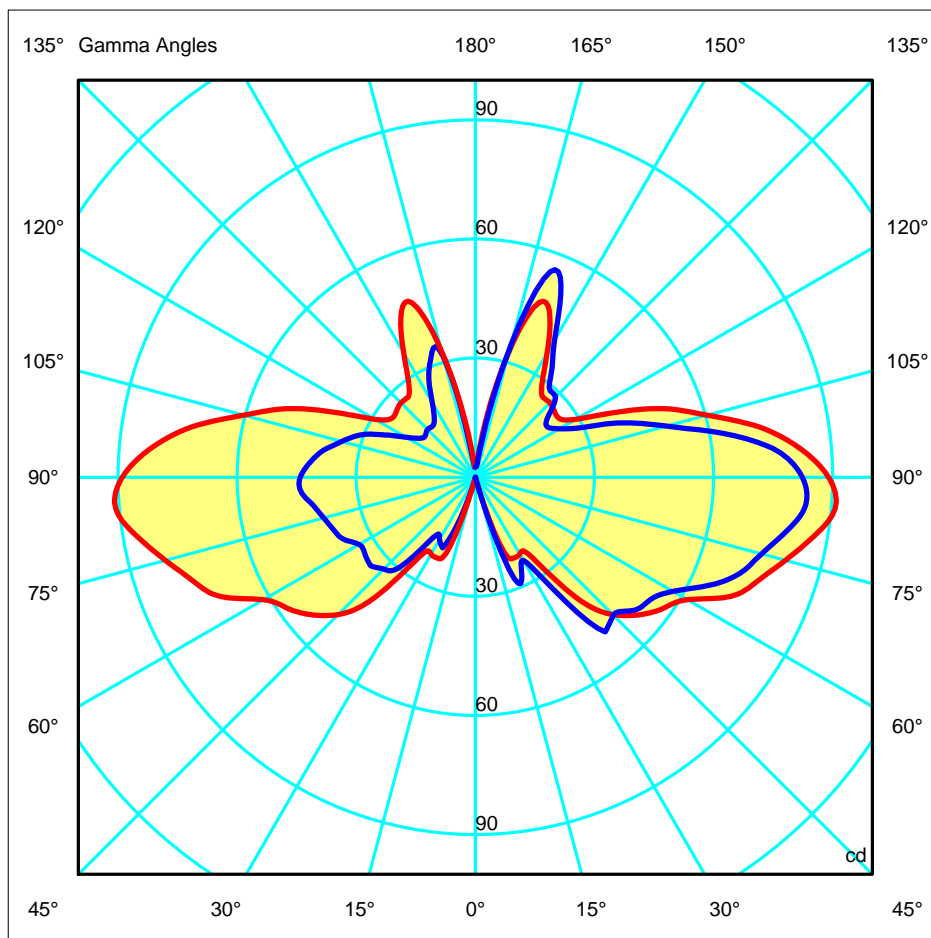
| Luminaire Lamps |                |                    |           |          |      |
|-----------------|----------------|--------------------|-----------|----------|------|
| Line            | Code           | Name               | Flux [lm] | Pow. [W] | Q.ty |
| Eulumdat        | DELN2341       | DELN2341 - 23.00 W | 1500.00   | 23.00    | 1    |
| C.I.E.          | 14 37 66 57 40 | D DIN 5040         |           |          |      |
| F UTE           | --             | B NBN              |           |          |      |
|                 |                | C11                |           |          |      |
|                 |                | BZ 10              |           |          |      |

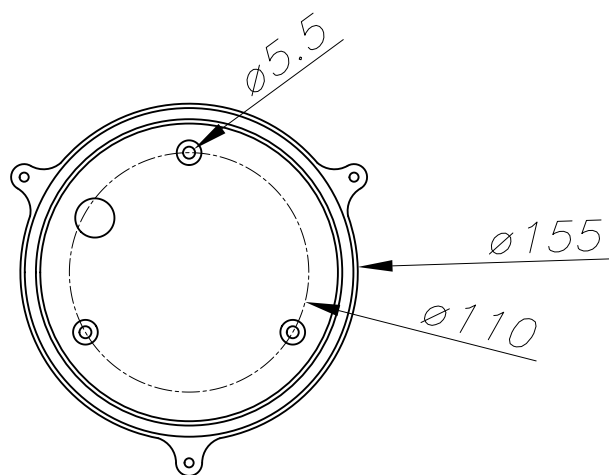
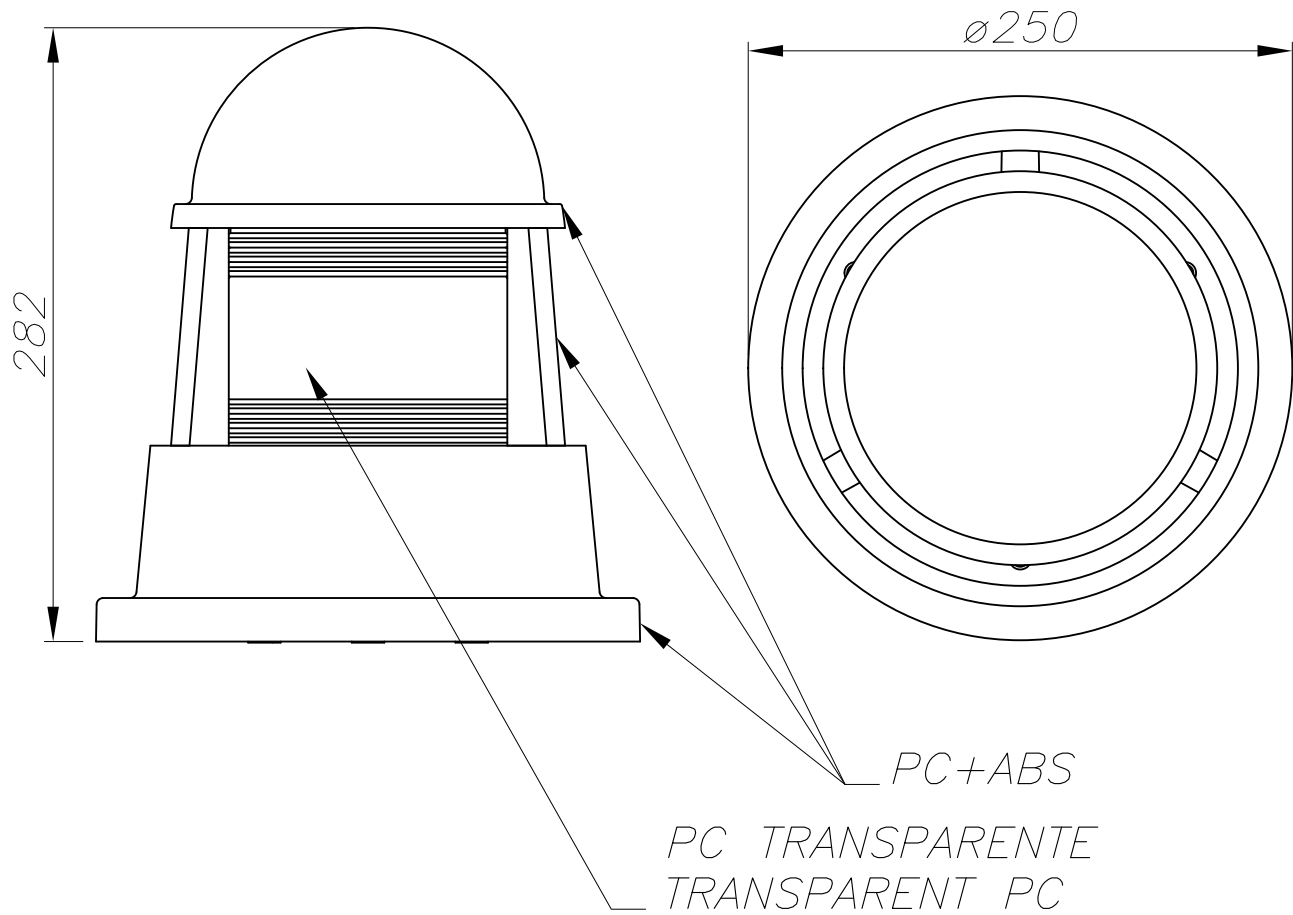
Diam=250mm



C Halfplanes  
 270.0 ———— 0.0  
 180.0 ———— 90.0

ULOR      16.92 %  
 DLOR      22.81 %  
 RN         42.59 %





PLANTILLA DE INSTALACIÓN  
INSTALLATION TEMPLATE

