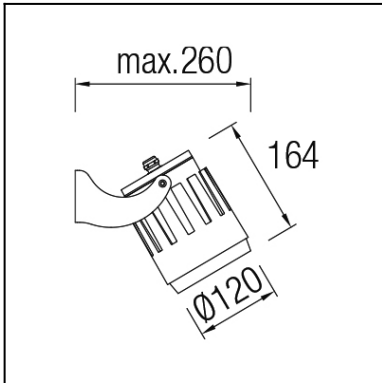




The photograph may not match the reference exactly. Please read the product description to identify the finish.

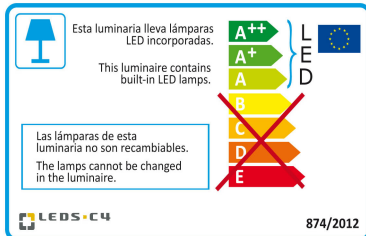


### TECHNICAL CHARACTERISTICS

Type:	Spotlight
Adjustable:	Adjustable $\pm 90^\circ$ on the horizontal axis.
IP Protection degrees:	IP65
IK Protection degrees:	IK03
Light source 1:	9 x LED Cree 19.5W Neutral white - 4000K 1656 lm <sup>(N)</sup> CRI 75
Angle of the optics / Reflector:	32°
Voltage / Frequency:	100-240V/50-60Hz
Warranty (Years):	2
Option to extend the guarantee (Years):	5
Units per box:	4
Net Weight (Kg):	1.76
EAN:	8435381425333



[Download photometric file .ldt / .ies](#)



[Click on image to download energy label](#)

### MATERIALS / FINISHES

<b>Structure material:</b>	High purity aluminium	<b>Diffuser material:</b>	Glass
<b>Structure finish:</b>	Grey	<b>Diffuser finish:</b>	Transparent

### GEAR

Multi-voltage electronic gear included (100-240V / 50-60Hz)

Lm<sup>(N)</sup>: Nominal flow of light in actual working conditions. Its actual flow will depend on the environmental conditions and the efficiency of the optics and/or diffuser.

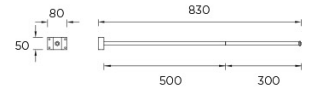
LEDS-C4 reserves the right to make the necessary technical changes they deem adequate, in order to improve the features of the product.

Please consult the sales team to clarify any doubt.

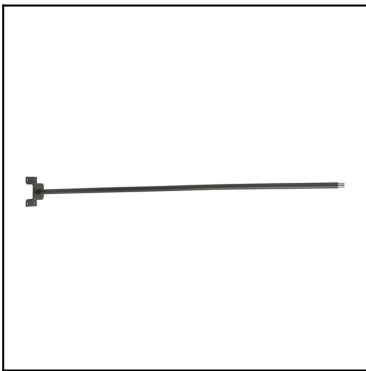
71-9487-34-34



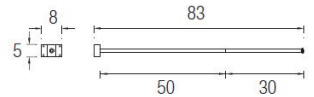
**Structure material:** Galvanized steel  
**Structure finish:** Grey



71-9487-Z5-Z5



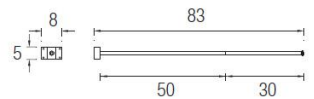
**Structure material:** Galvanized steel  
**Structure finish:** Urban grey



71-9487-34-34V1



**Structure material:** Galvanized steel  
**Structure finish:** Grey



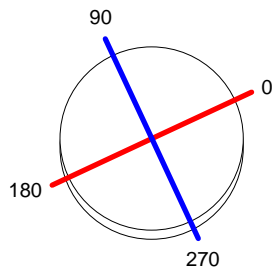
**LED'S C4**

REF. ENSAYO	REFERENCIA	POTENCIA NOMINAL (W)	POTENCIA (W)	POTENCIA APARENTE (VA)	POTENCIA REACTIVA (VAR)	COSENO DE PHI (PF)	CURRENT (A)
530/2015	<b>05-9856-34-CL</b>	19,5	22,86	24,4	8,54	0,937	0,106

Luminaire		Measur.		Lamp	
Code	05-9856-34-CL	Code	05-9856-34-CL	Code	05-9856-34-CL
Name	Proyector POWELL 9 leds 19.5W	Name	Proyector POWELL 9 leds 19.5W	Number	1
Line	- LEDS C4 LEDS	Date	14-09-2015	Position	Universal
Luminaire Flux	1246.93 lm	Luminaire Power	19.00 W	Efficacy	65.63 lm/W
Lamps Flux	1246.93 lm	Maximum value	3144.05 cd	Position	C=0.00 G=0.00
Round Luminaire		Diam.	130 mm	Height	170 mm
Round Luminous Area		Diam.	108 mm	Height	0 mm
Horizontal Luminous Area	0.009161 m2	Emitting area on Plane 180°	0.000000 m2	Emitting area on Plane 270°	0.000000 m2
Emitting area on Plane 0°	0.000000 m2	Glare area at 76°	0.002216 m2		
Emitting area on Plane 90°	0.000000 m2				
Coordinate system	CG	Symmetry Type	Double Symmetrical		
Date	14-09-2015	Maximum Gamma Angle	90		
Measurement Distance	6.44	Measurement Flux	1246.93 lm		
Operator	Asselum T2	Source voltage	230.00 V		
Temperature	24.00 °C	Source current			
Humidity	53.00 %	Photocell	Prc		
Notes					

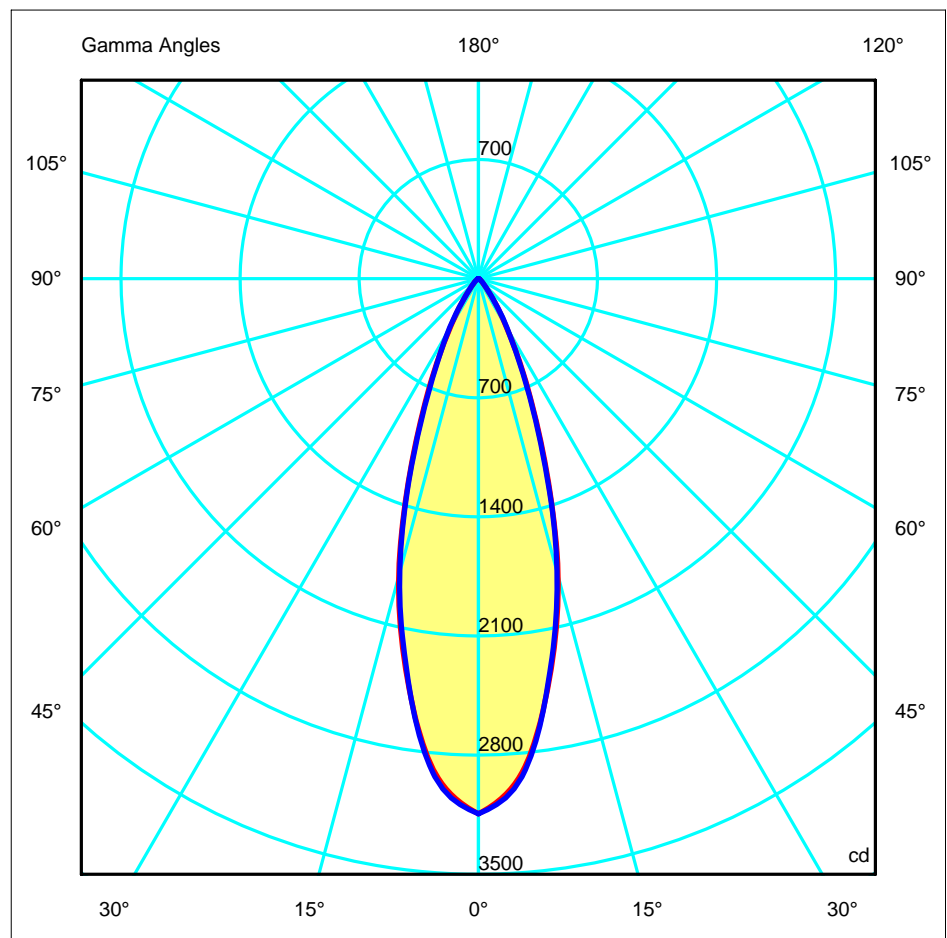
Line	Code	Luminaire Lamps	Flux [lm]	Pow. [W]	Q.ty
- LEDS C4 LEDS	05-9856-34-CL	Name Lámpara 9 leds 19.5W	1246.93	19.00	1
C.I.E.	96 99 100 100 100	D DIN 5040	A60		
F UTE	1.00 A	B NBN	BZ 1		

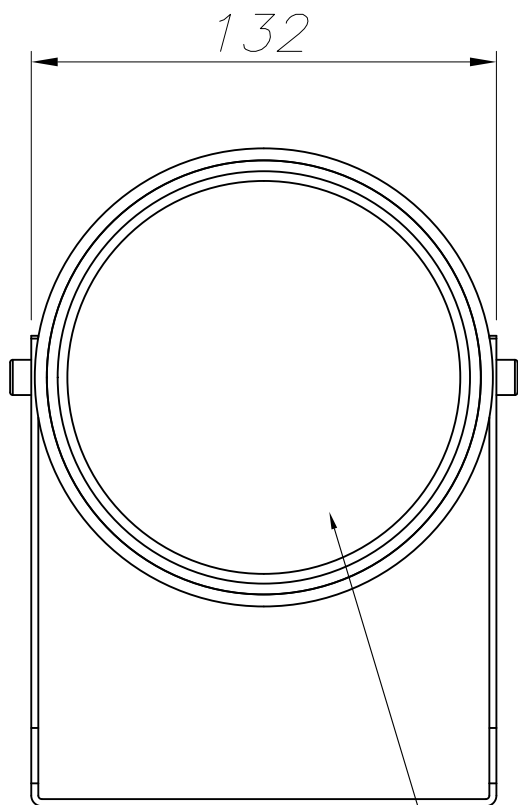
Diam=130mm



C Halfplanes  
 180.0 — 0.0  
 270.0 — 90.0

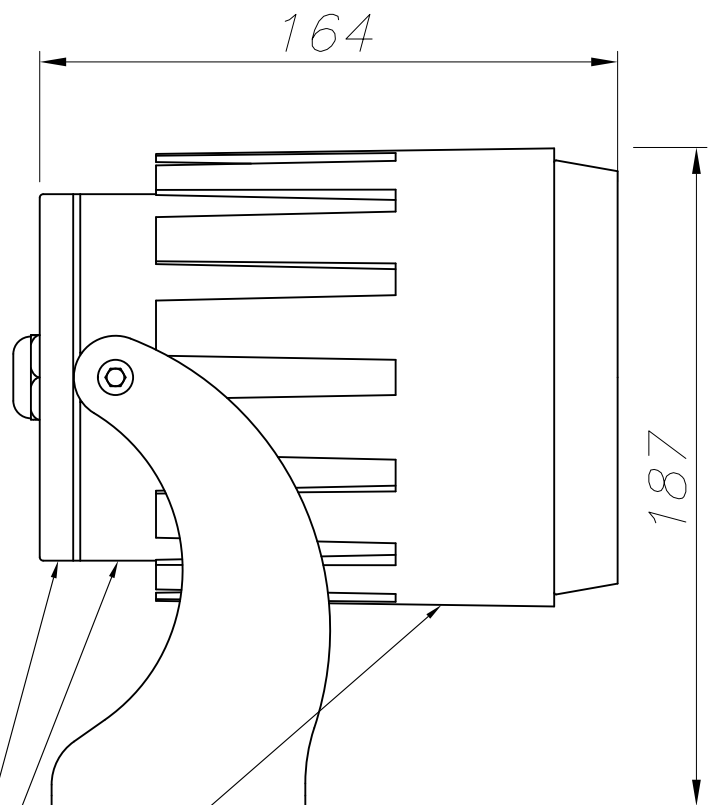
ULOR 0.00 %  
 DLOR 100.00 %  
 RN 0.00 %



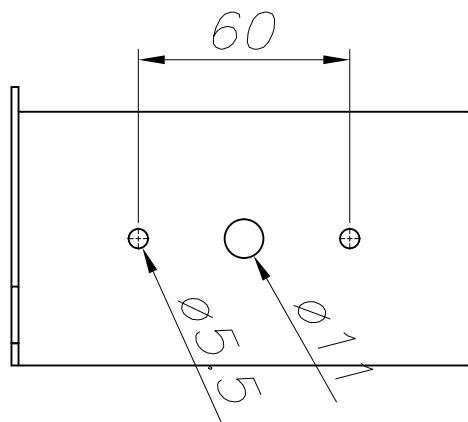


CRISTAL TRANSPARENTE  
TRANSPARENT GLASS

ALUMINIO INYECTADO  
INJECTED ALUMINIUM



ALUMINIO  
ALUMINIUM



PLANTILLA DE INSTALACION  
INSTALLATION TEMPLATE

