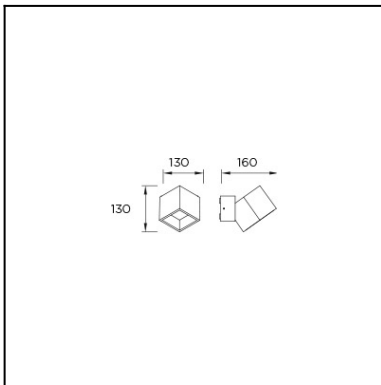
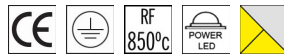


The photograph may not match the reference exactly. Please read the product description to identify the finish.



TECHNICAL CHARACTERISTICS

Type:	Wall fixture
Adjustable:	Adjustable $\pm 45^\circ$ on the vertical axis
IP Protection degrees:	IP65
IK Protection degrees:	IK04
Light source 1:	5 x LED Cree 5W Warm White - 3000K 470 lm ^(N) CRI 80
Total power consumption (W):	6.9
Voltage / Frequency:	100-240V/50-60Hz
Warranty (Years):	2
Option to extend the guarantee (Years):	5
Units per box:	4
Net Weight (Kg):	1.02
EAN:	8435381435141



MATERIALS / FINISHES

Structure material: High purity aluminium

Diffuser material: Glass

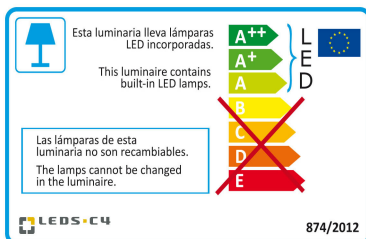
Structure finish: White

Diffuser finish: Matt

GEAR

Multi-voltage electronic gear included (100-240V / 50-60Hz)

Download photometric file .ldt / .ies



Click on image to download energy label

Lm^(N): Nominal flow of light in actual working conditions. Its actual flow will depend on the environmental conditions and the efficiency of the optics and/or diffuser.

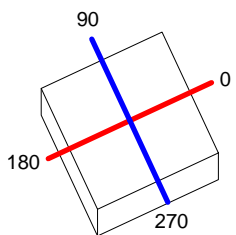
LEDS-C4 reserves the right to make the necessary technical changes they deem adequate, in order to improve the features of the product.

Please consult the sales team to clarify any doubt.

Luminaire		Measur.		Lamp		
Code	05-9685-Z5-T2	Code	20130705001	Code	11	
Name	05-9685	Name	05-9685	Number	4	
Line	Eulumdat	Date	05-07-2013	Position		
Efficiency	36.77%	Coordinate system	CG	Total Flux	400.00 lm	
Maximum value	112.92 cd	Position	C=315.00 G=4.00	Asymmetrical		
Rectangular Luminaire	Length	80 mm	Width	80 mm	Height	40 mm
Rectangular Luminous Area	Length	80 mm	Width	80 mm	Height	40 mm
Horizontal Luminous Area	0.006400 m2	Emitting area on Plane 180°		0.003200 m2		
Emitting area on Plane 0°	0.003200 m2	Emitting area on Plane 270°		0.003200 m2		
Emitting area on Plane 90°	0.003200 m2	Glare area at 76°		0.004653 m2		
Symmetry Type	Asymmetrical	Maximum Gamma Angle		90		
Measurement Distance	0.00	Measurement Flux		400.00 lm		
Operator		Source voltage				
Temperature	25.00 °C	Source current				
Humidity	60.00 %	Photocell				
Notes						

Line		Code		Luminaire Lamps		Flux [lm]	Pow. [W]	Q.ty
Eulumdat		11		Name		100.00	1.70	4
				11 - 1.70 W				
C.I.E.	82 98 99 100 37			D DIN 5040	A60			
F UTE	0.37 B			B NBN	BZ 1			

80mm x 80mm



C Halfplanes

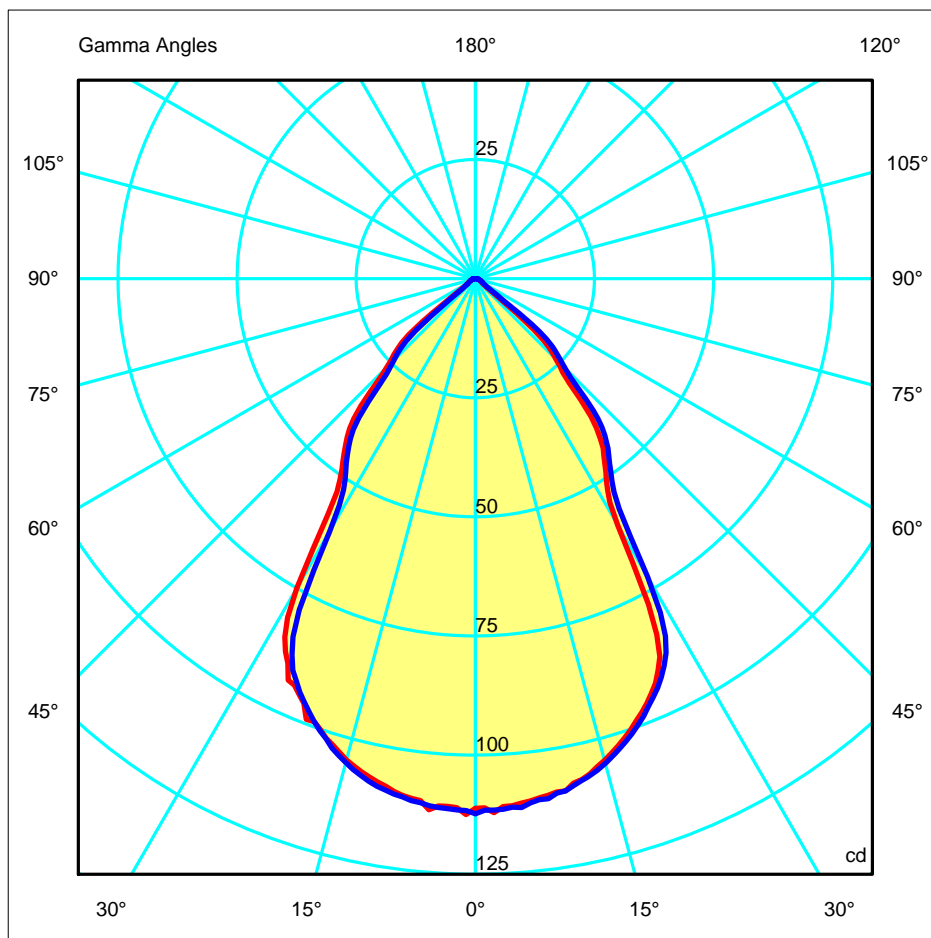
180.0 — 0.0

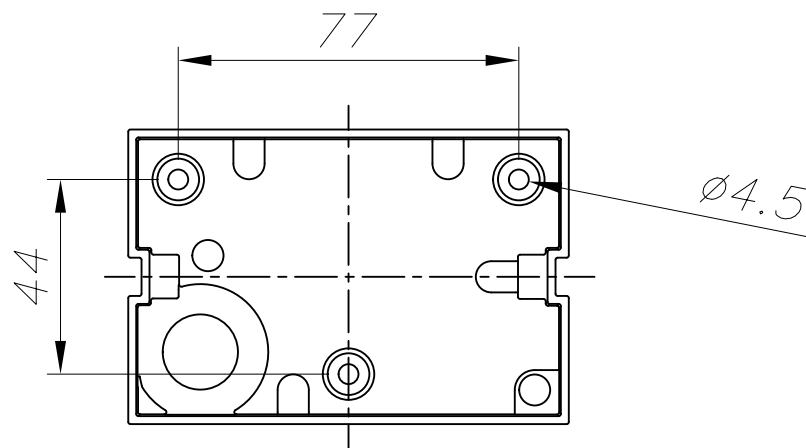
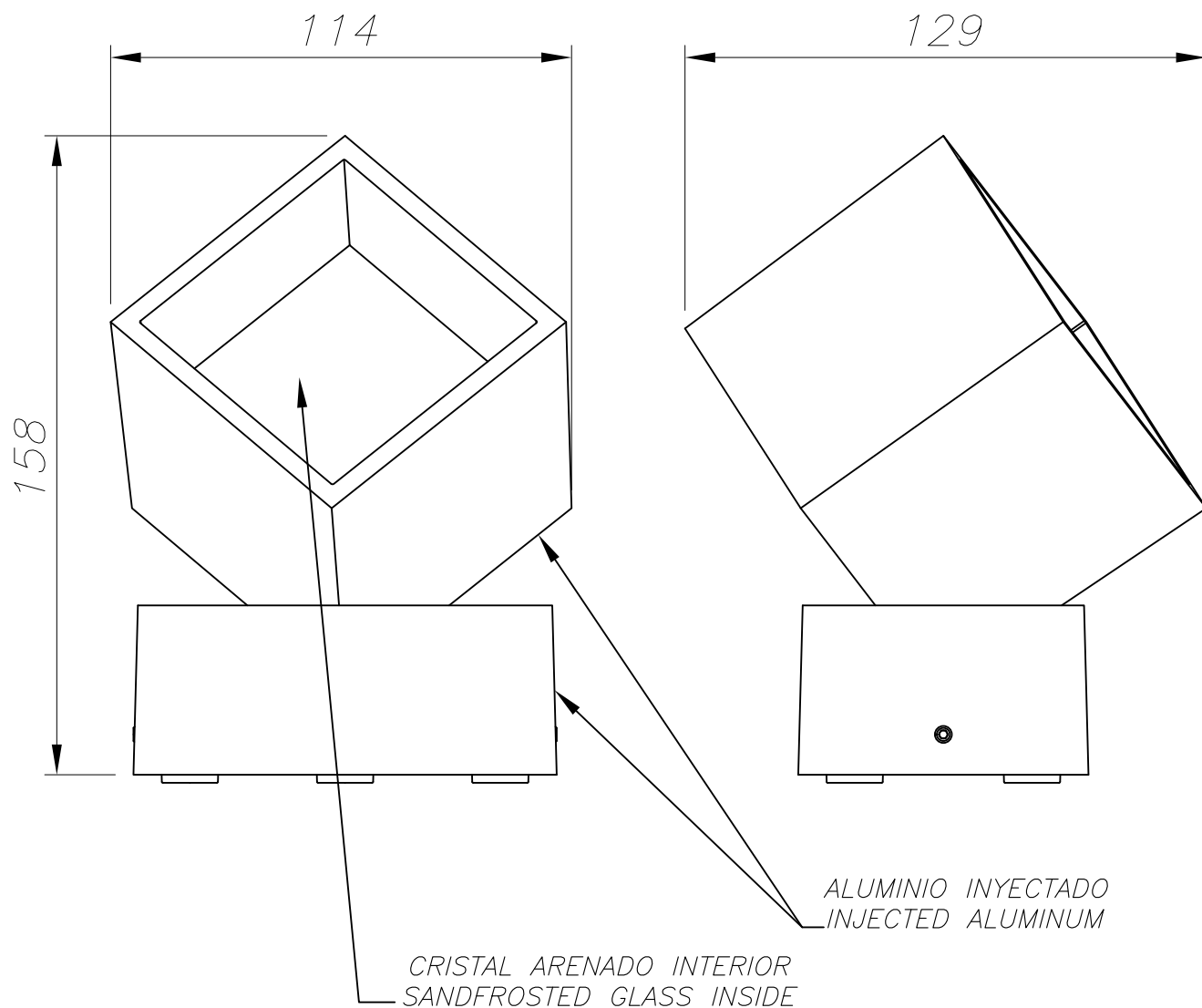
270.0 — 90.0

ULOR 0.00 %

DLOR 36.77 %

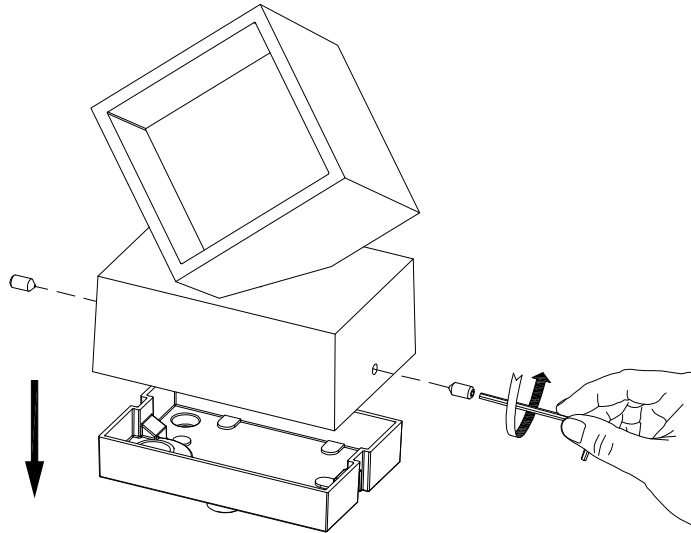
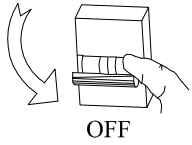
RN 0.00 %



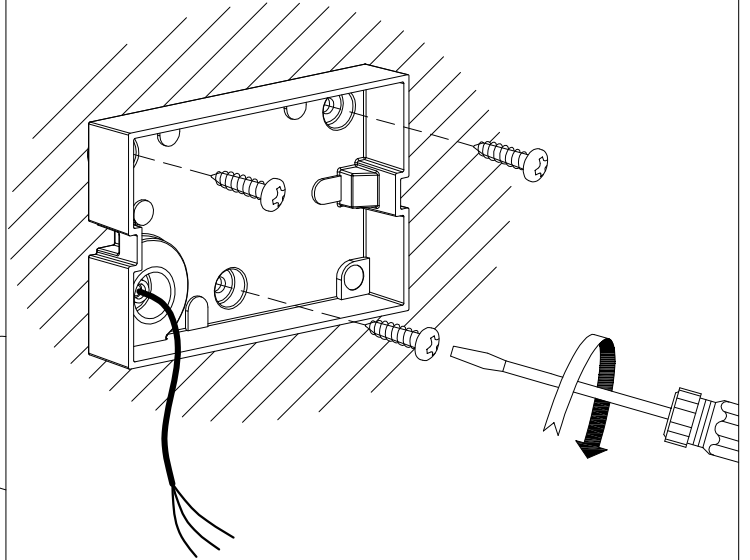


PLANTILLA DE INSTALACIÓN
INSTALLATION TEMPLATE

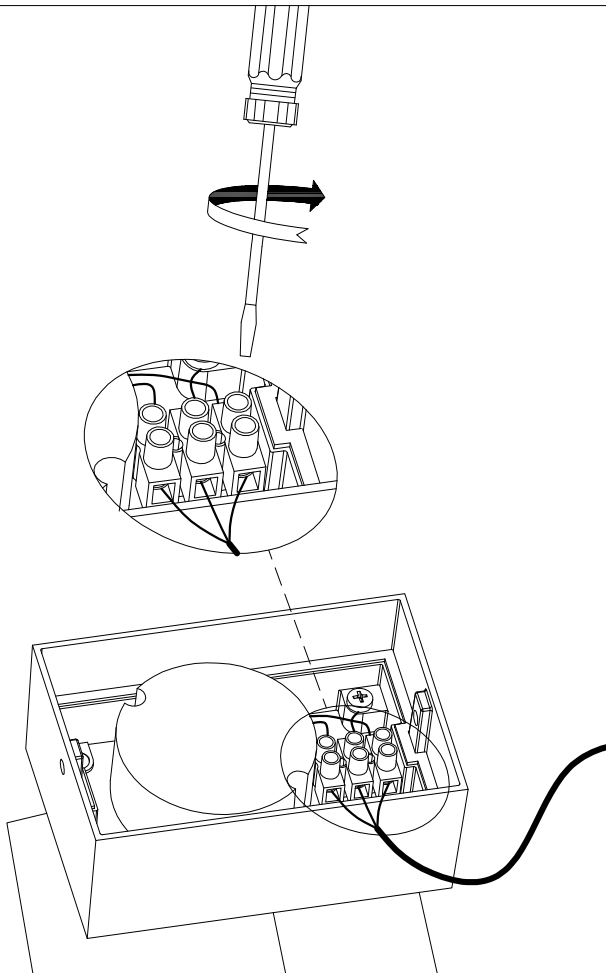
①



②



③



④

