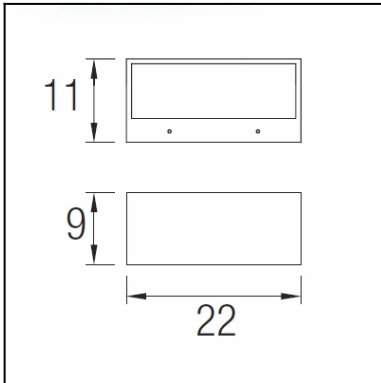
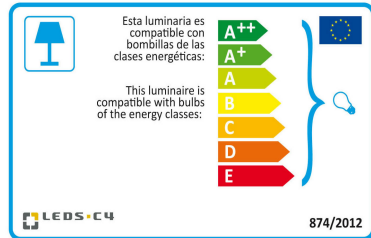




The photograph may not match the reference exactly. Please read the product description to identify the finish.



[Download photometric file .ldt / .ies](#)



[Click on image to download energy label](#)

TECHNICAL CHARACTERISTICS

| | |
|------------------------------|---|
| Type: | Wall fixture |
| IP Protection degrees: | IP54 |
| IK Protection degrees: | IK04 |
| Light source 1: | 1 x E27 max. 60W Maximum lamp length: 155.00 mm |
| Total power consumption (W): | 60 |
| Voltage / Frequency: | 220-240V/50-60Hz |
| Warranty (Years): | 2 |
| Units per box: | 6 |
| Net Weight (Kg): | 1.145 |
| EAN: | 8435381400477 |



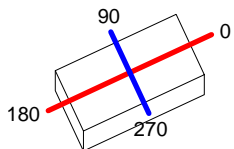
MATERIALS / FINISHES

| | | | |
|----------------------------|--------------------|---------------------------|-------|
| Structure material: | Injected aluminium | Diffuser material: | Glass |
| Structure finish: | Grey | Diffuser finish: | Matt |

| | | | | | | |
|----------------------------|--------------------------|-----------------------------|--------------------------|--------------|----------------|-------|
| Luminaire | | Measur. | | Lamp | | |
| Code | 05-9649 | Code | 05-9649 | Code | PL-C13W/840/2P | |
| Name | Aplique dir/ind 22W TC-D | Name | Aplique dir/ind 22W TC-D | Number | 1 | |
| Line | Eulumdat | Date | 27-01-2014 | Position | | |
| Efficiency | 40.02% | Coordinate system | CG | Total Flux | 1440.00 lm | |
| Maximum value | 133.53 cd | Position | C=0.00 G=165.00 | Asymmetrical | | |
| Rectangular Luminaire | Length | 110 mm | Width | 220 mm | Height | 90 mm |
| Rectangular Luminous Area | Length | 90 mm | Width | 155 mm | Height | 1 mm |
| Horizontal Luminous Area | 0.013950 m2 | Emitting area on Plane 180° | | 0.000090 m2 | | |
| Emitting area on Plane 0° | 0.000090 m2 | Emitting area on Plane 270° | | 0.000155 m2 | | |
| Emitting area on Plane 90° | 0.000155 m2 | Glare area at 76° | | 0.003462 m2 | | |
| Symmetry Type | Asymmetrical | Maximum Gamma Angle | | 180 | | |
| Measurement Distance | 0.00 | Measurement Flux | | 1440.00 lm | | |
| Operator | Asselum | Source voltage | | | | |
| Temperature | 25.00 °C | Source current | | | | |
| Humidity | 60.00 % | Photocell | | | | |
| Notes | | | | | | |

| Luminaire Lamps | | | | | |
|-----------------|-----------------|--------------------------|-------------------|----------|------|
| Line | Code | Name | Flux [lm] | Pow. [W] | Q.ty |
| Eulumdat | PL-C13W/840/2P | PL-C13W/840/2P - 22.00 W | 1440.00 | 22.00 | 1 |
| C.I.E. | 55 84 97 49 40 | D DIN 5040 | C42 | | |
| F UTE | 0.20 D + 0.20 T | B NBN | BZ 3 / 0.6 / BZ 4 | | |

110mm x 220mm



C Halfplanes

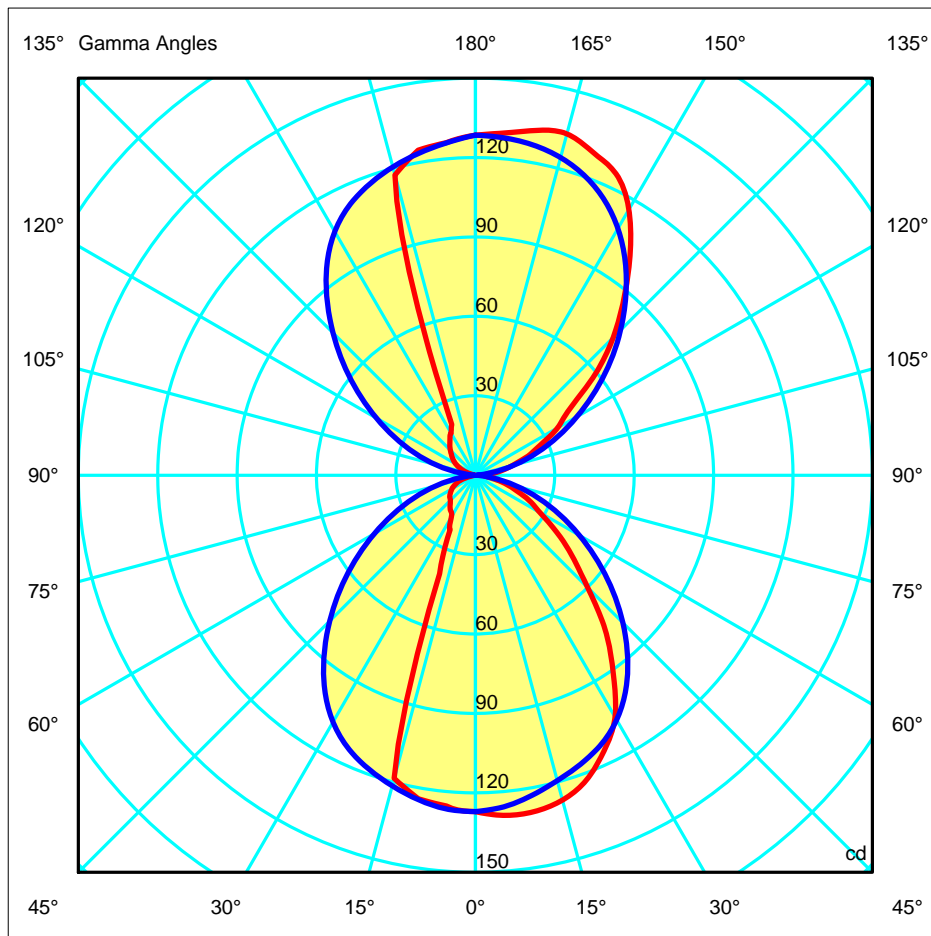
180.0 — 0.0 (Red line)

270.0 — 90.0 (Blue line)

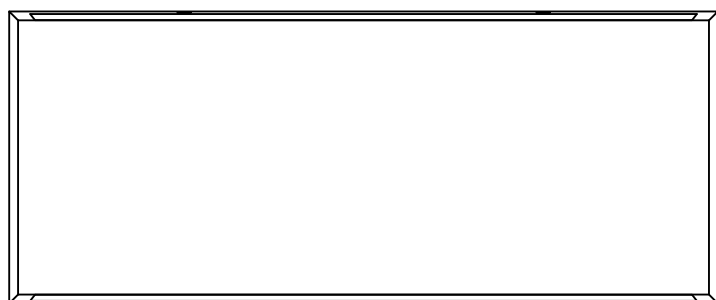
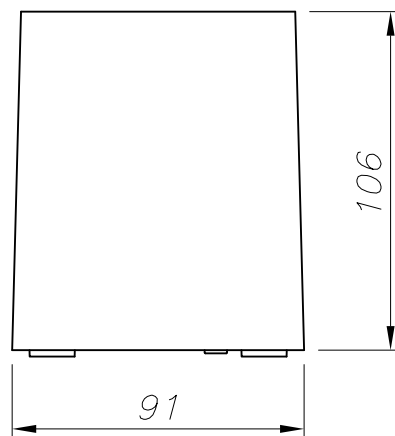
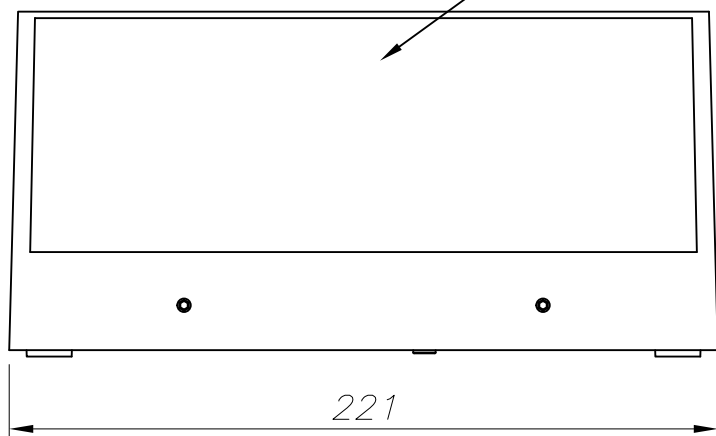
ULOR 20.23 %

DLOR 19.79 %

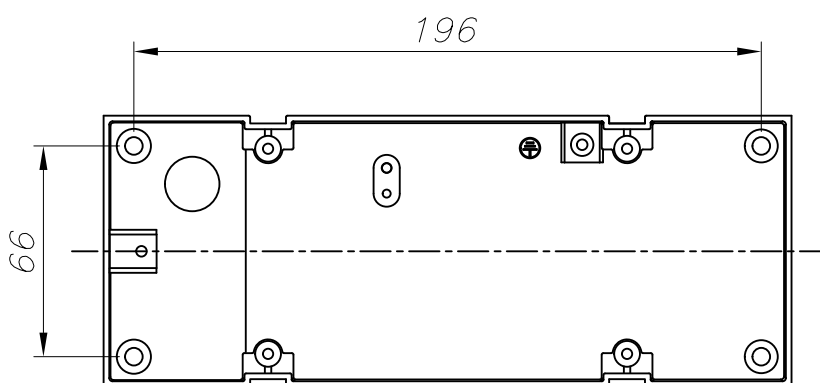
RN 50.56 %



CRISTAL ARENADO INTERIOR
SANDFROSTED GLASS INSIDE



ALUMINIO INYECTADO
INJECTED ALUMINUM



PLANTILLA DE INSTALACIÓN
INSTALLATION TEMPLATE

