



### TECHNICAL CHARACTERISTICS

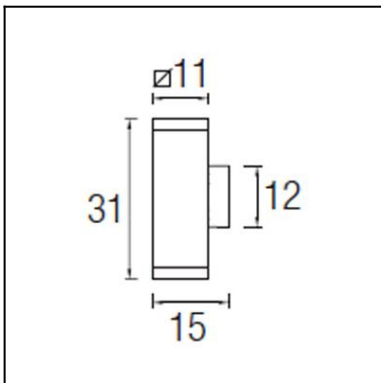
Type:	Wall fixture
IP Protection degrees:	IP65
IK Protection degrees:	IK06
Light source 1:	2 x E27/PAR-30 MAX 75W Maximum lamp length: 100.00 mm
Total power consumption (W):	150
Voltage / Frequency:	230V/50-60Hz
Warranty (Years):	2
Units per box:	6
Net Weight (Kg):	1.8
EAN:	8435111067154

The photograph may not match the reference exactly. Please read the product description to identify the finish.

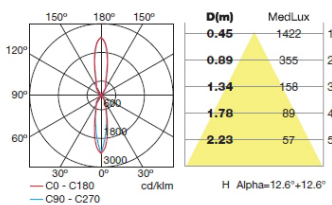


### MATERIALS / FINISHES

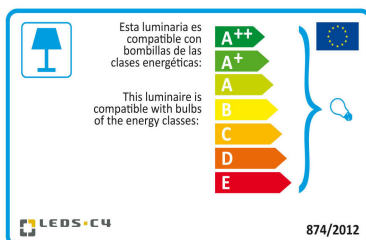
<b>Structure material:</b>	Injected aluminium	<b>Diffuser material:</b>	Glass
<b>Structure finish:</b>	Urban grey	<b>Diffuser finish:</b>	Tempered



2 x Par-30 75W



Download photometric file .ldt / .ies

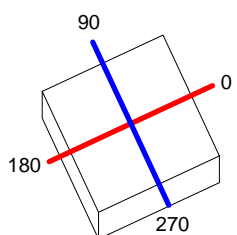


Click on image to download energy label

<b>Luminaire</b>		<b>Measur.</b>		<b>Lamp</b>	
Code	05-9368-34-37	Code	05-9368-34-37	Code	Hi-Spot 95-CB 75W 30
Name	AFRODITA 2x75W PAR 30	Name	AFRODITA 2x75W PAR 30	Number	2
Line	Eulumdat	Date	28-08-2009	Position	
Efficiency	86.74%	Coordinate system	CG	Total Flux	2200.00 lm
Maximum value	2420.00 cd	Position	C=0.00 G=0.00	Double Symmetrical	
Rectangular Luminaire	Length	110 mm	Width	110 mm	Height
Rectangular Luminous Area	Length	70 mm	Width	70 mm	Height
Horizontal Luminous Area	0.004900 m2	Emitting area on Plane 180°		0.000070 m2	
Emitting area on Plane 0°	0.000070 m2	Emitting area on Plane 270°		0.000070 m2	
Emitting area on Plane 90°	0.000070 m2	Glare area at 76°		0.001253 m2	
Symmetry Type	Double Symmetrical	Maximum Gamma Angle		180	
Measurement Distance	0.00	Measurement Flux		2200.00 lm	
Operator	Asselum	Source voltage			
Temperature	25.00 °C	Source current			
Humidity	60.00 %	Photocell			
Notes					

Luminaire Lamps					
Line	Code	Name	Flux [lm]	Pow. [W]	Q.ty
Eulumdat	Hi-Spot 95-CB 75W 30	Hi-Spot 95-CB 75W 30 - 75.00 W	1100.00	75.00	2
C.I.E.	93 99 100 49 87	D DIN 5040			
F UTE	0.43 A + 0.44 T	B NBN			
		C62			
		BZ 1			

110mm x 110mm



**C Halfplanes**

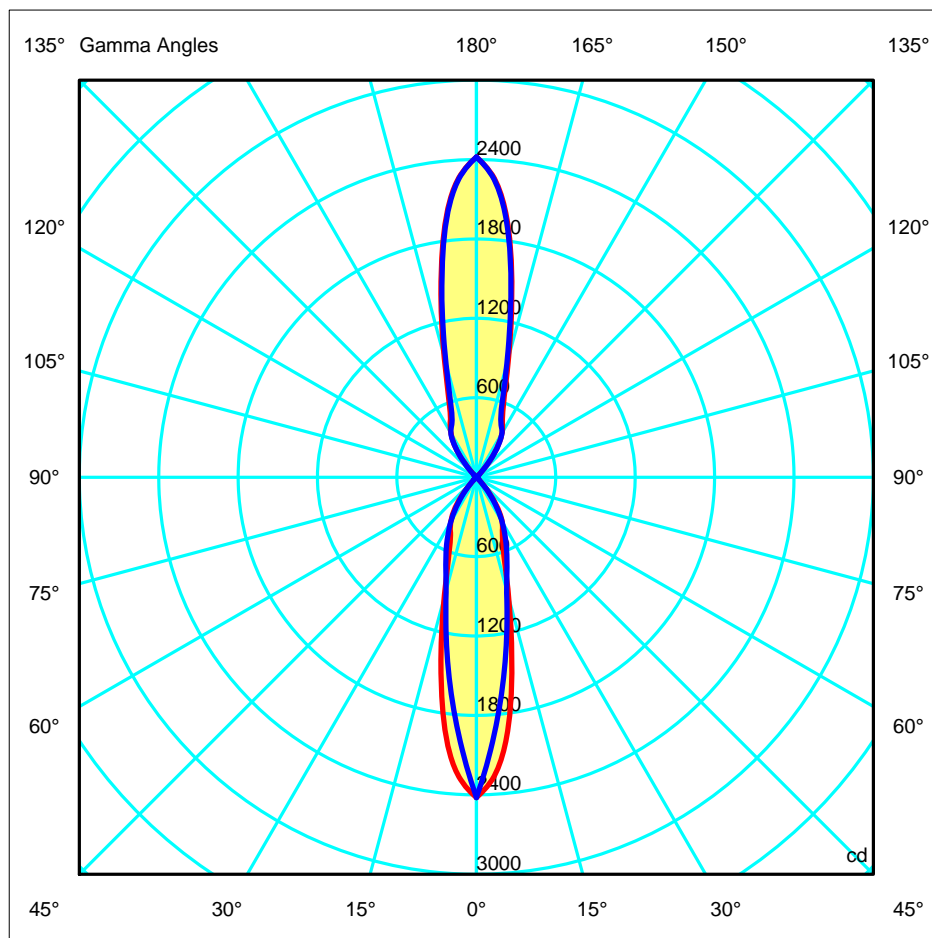
180.0 — 0.0

270.0 — 90.0

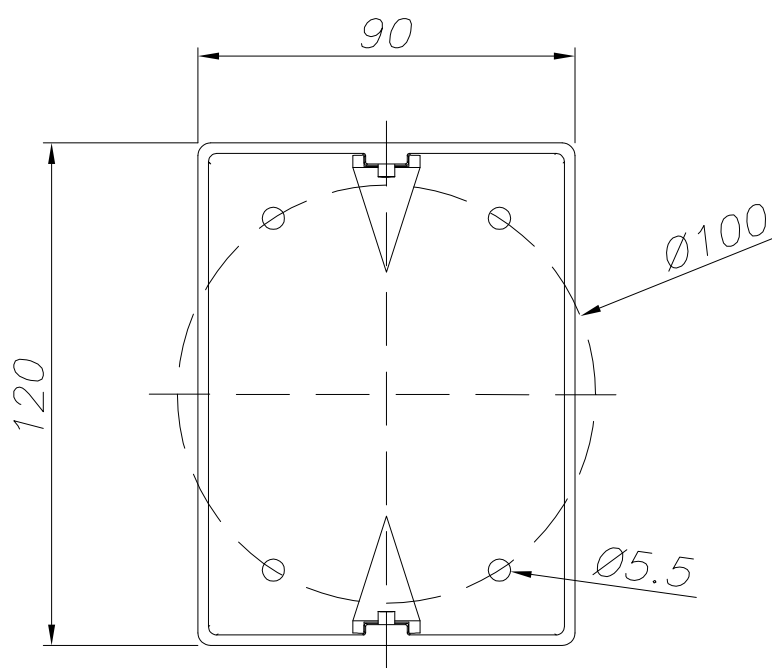
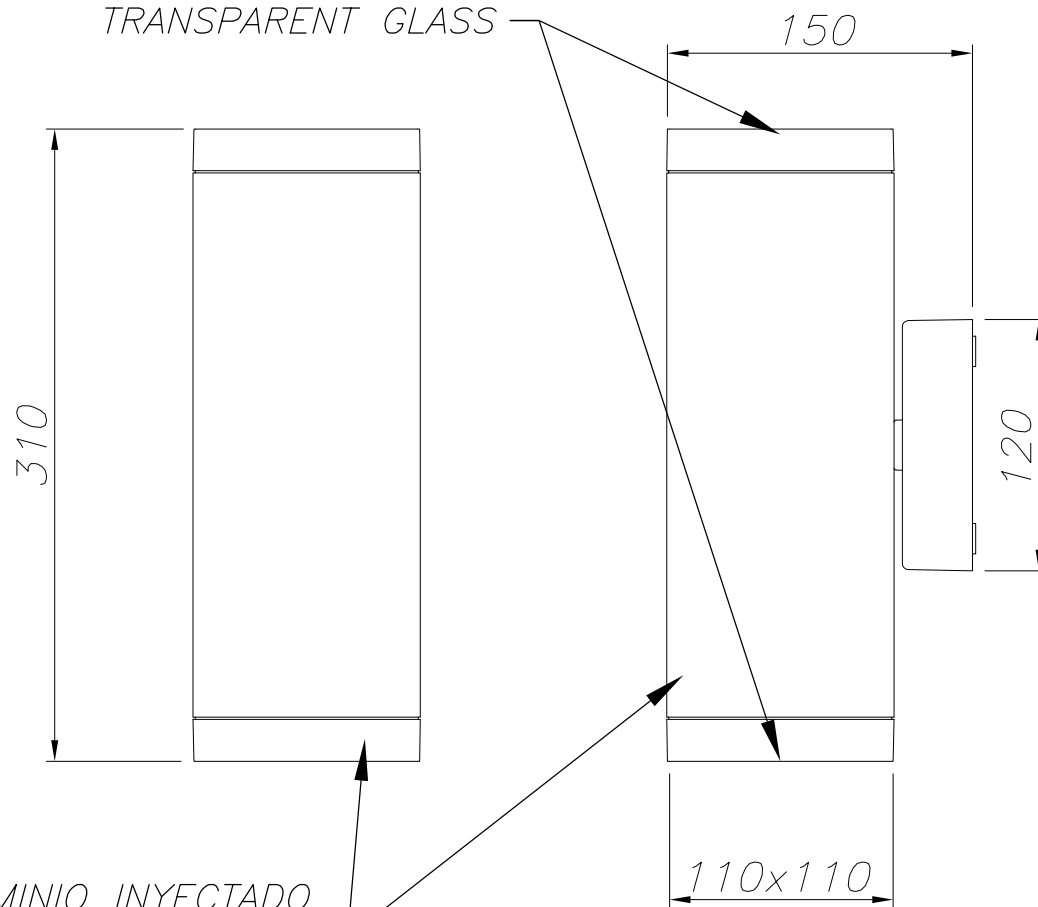
ULOR 43.92 %

DLOR 42.82 %

RN 50.64 %



CRISTAL TRANSPARENTE  
TRANSPARENT GLASS



PLANTILLA DE INSTALACIÓN  
INSTALLATION TEMPLATE



LEDS-C4

# OUTDOOR

05-9368

