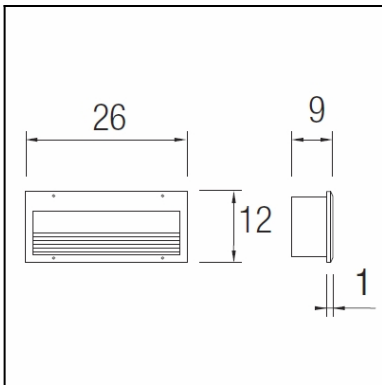




The photograph may not match the reference exactly. Please read the product description to identify the finish.



TECHNICAL CHARACTERISTICS

Type:	WALL RECESSED
IP Protection degrees:	IP44
IK Protection degrees:	IK06
Light source 1:	1 x G24d3 26W
Total power consumption (W):	33.4W
Voltage / Frequency:	230V/50Hz
Warranty (Years):	2
Units per box:	12
Net Weight (Kg):	1.41
EAN:	8435111055625



MATERIALS / FINISHES

Structure material: Injected aluminium

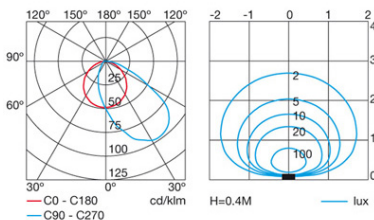
Diffuser material: Glass

Structure finish: Urban grey

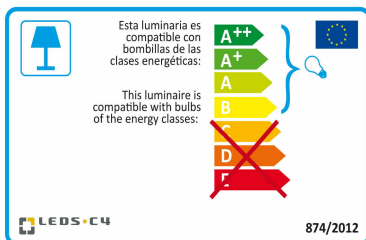
Diffuser finish: Matt

GEAR

Gear included: Yes, Magnetic



Download photometric file .ldt / .ies

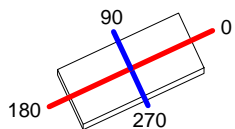


Click on image to download energy label

Luminaire		Measur.		Lamp			
Code	05-9179-34-B8	Code	05-9179-34-B8	Code	DULUX D 26W840		
Name	Aplique indir. 26W TC-D G24d3	Name	Aplique indir. 26W TC-D G24d3	Number	1		
Line	Eulumdat	Date	11-11-2008	Position			
Efficiency	16.07%	Coordinate system	CG	Total Flux	1800.00 lm		
Maximum value	176.98 cd	Position	C=90.00 G=35.00	Sym. on planes	270-90		
Rectangular Luminaire	Length	120 mm	Width	265 mm	Height	5 mm	
Rectangular Luminous Area	Length	60 mm	Width	232 mm	Height	1 mm	
Horizontal Luminous Area	0.013920 m2	Emitting area on Plane 180°	0.000060 m2	Emitting area on Plane 270°	0.000232 m2	Glare area at 76°	0.003426 m2
Symmetry Type	Sym. on planes 270-90	Maximum Gamma Angle	90	Measurement Flux	1800.00 lm		
Operator	OxyTech	Source voltage	25.00 °C	Source current	60.00 %	Photocell	
Temperature	25.00 °C						
Humidity	60.00 %						
Notes							

Luminaire Lamps							
Line	Code	Name	Flux [lm]	Pow. [W]	Q.ty		
Eulumdat	DULUX D 26W840	DULUX D 26W840 - 26.00 W	1800.00	26.00	1		
C.I.E.	46 81 97 100 16	D DIN 5040	A30				
F UTE	0.16 F	B NBN	BZ 5 / 1 / BZ 4				

120mm x 265mm



C Halfplanes

270.0 ————

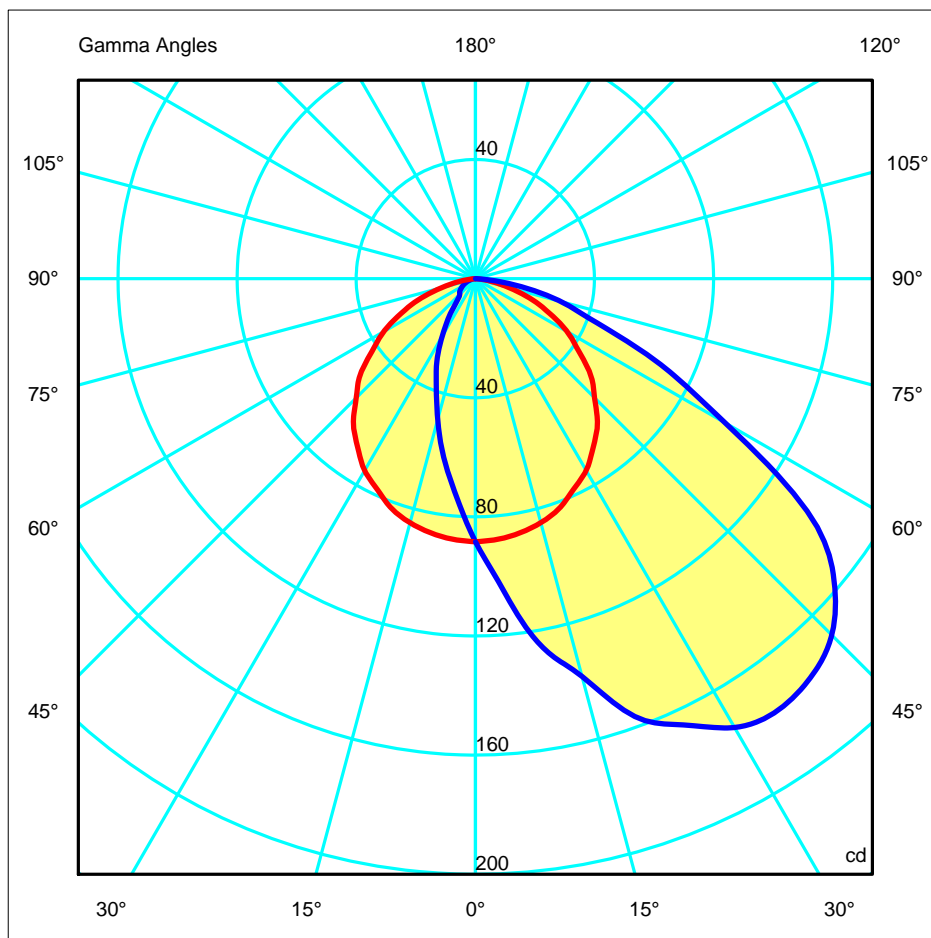
180.0 ———— 0.0

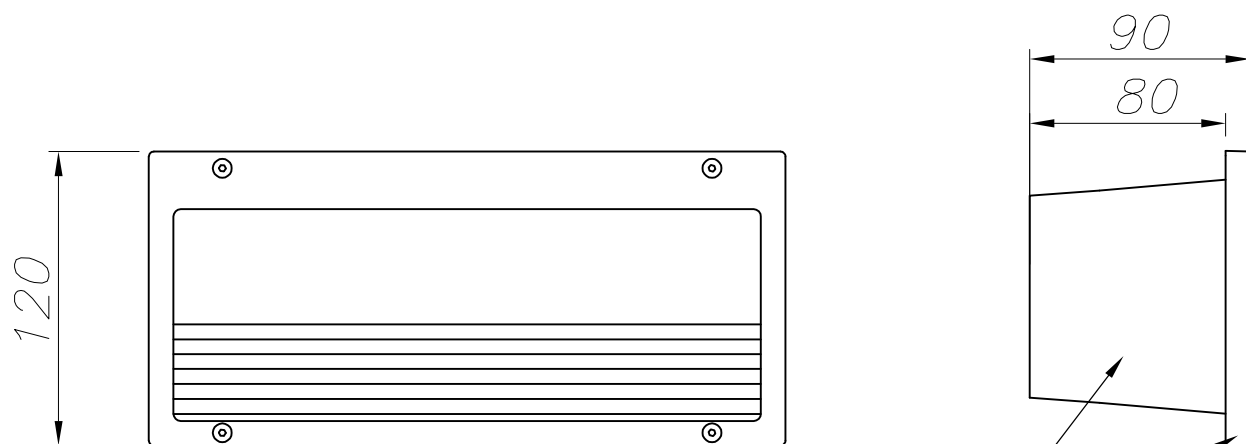
 — 90.0

ULOR 0.00 %

DLOR 16.07 %

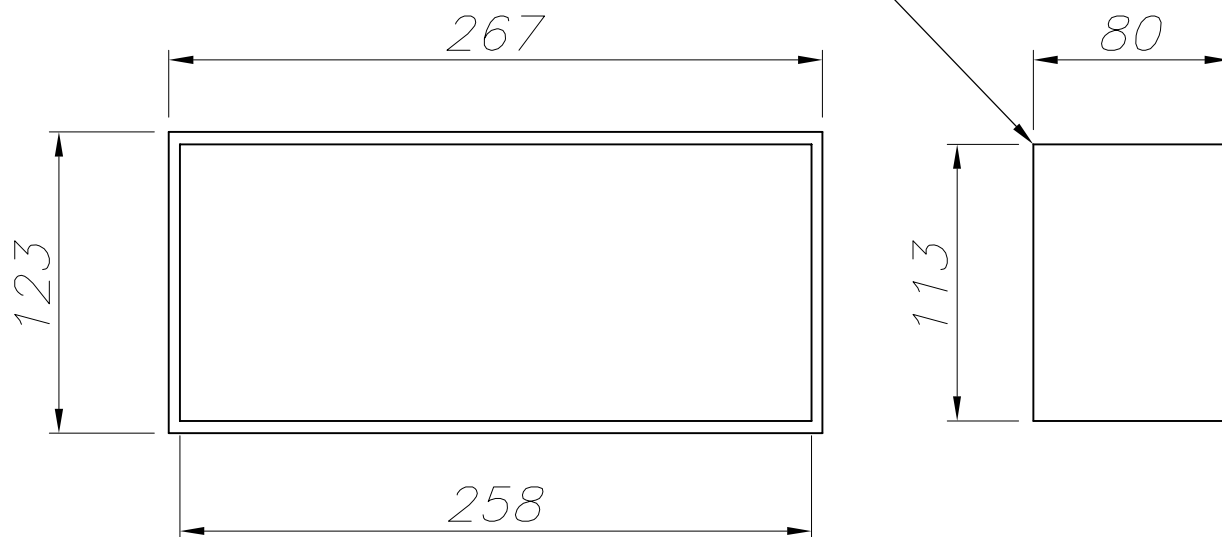
RN 0.00 %





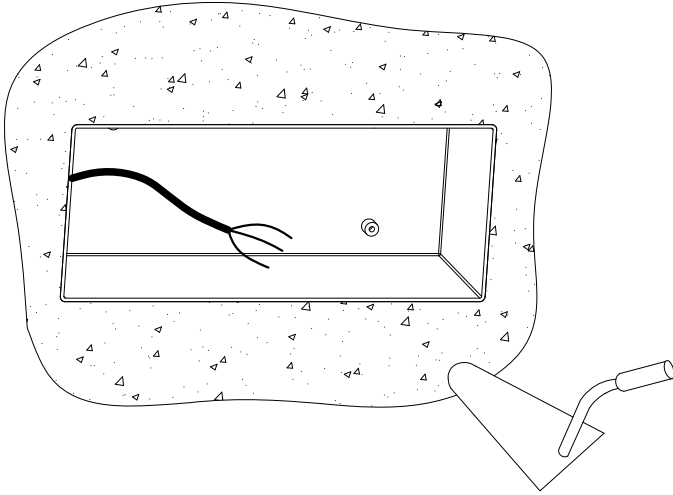
ALUMINIO INYECTADO
INJECTED ALUMINUM

CAJA DE EMPOTRAR DE PP
PP FLUSH FITTING BOX

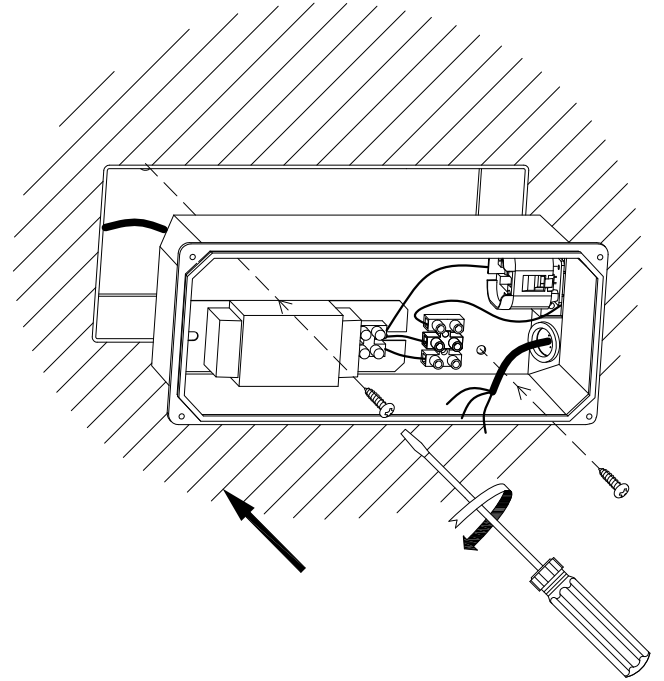


CAJA DE EMPOTRAR
FLUSH FITTING BOX

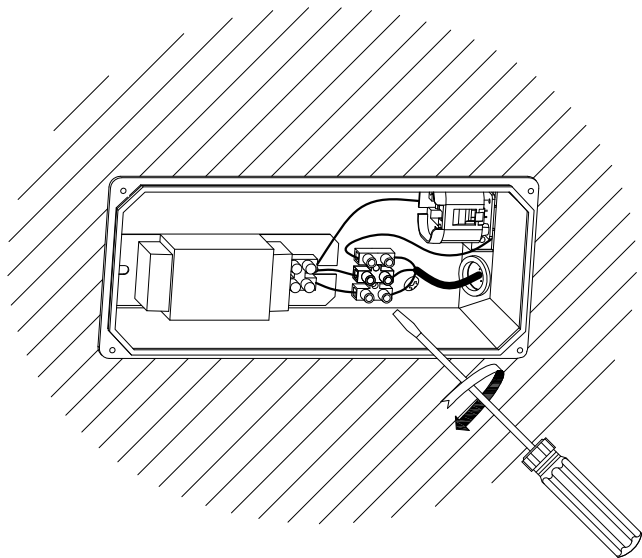
①



②



③



④

